

36kw Huawei photovoltaic inverter





36kw Huawei photovoltaic inverter



Photovoltaic Inverter Huawei SUN2000-20KTL-M5, 20 kW, 2 MPPT

Photovoltaic Inverter Huawei SUN2000-20KTL-M5, 20 kW, 2 MPPT + Add to compare Add to shopping list. Huawei SUN2000-20KTL-M5 Inverter FusionSolar,3-phase, 2-MPPT, built-in ...

Huawei SUN2000 36KTL 36kW 3phase inverter (no LCD)

The Huawei SUN2000-36KTL 36kW 3phase inverter has a maximum efficiency up to 98.8 with an adaptable and flexible quad MPPT. Type II DC & AC surge arrestors are integrated into the ...



Inversor Huawei SUN2000-36KTL-M3 Trifásico 36kW

El Inversor Huawei SUN2000-36KTL-M3 está preparado para trabajar en instalación trifásicas de conexión a red sin baterías. Este modelo SUN2000-36KTL-M3 incorpora cuatro MPPT con ...



[36Kw \(3 Phase\) ?????????????? On Grid \(5 Year\)](#)

Huawei (3 Phase) ??? 36000 ???
SUN2000-36KTL-M3 (????????? 5??) 36Kw (3 Phase) ?????????????? On Grid (5 Year) - supersolarz ?????????????? : 064-523-4888 098-832-3610 ...



DETAILS AND PACKAGING



- 1 USER MANUAL PDF
- 2 RJ45 Cable For RS485/CAN
- 3 Battery in Parallel Cables
- 4 RJ45 TO USB Monitor Cable
- 5 M8 Terminal*4

Huawei SUN2000 36KTL 36kW 3 phase inverter (no ...

The Huawei SUN2000-36KTL 36kW 3phase inverter has a maximum efficiency up to 98.8 with an adaptable and flexible quad MPPT. Type II DC & AC surge arrestors are integrated into the unit and natural cooling effectively improves ...



Huawei SUN2000 36KTL-M3 36kW 3 phase inverter

Part No: SUN2000-36KTL-M3 Inverters - Main Units Rating: 36,000W Phases: 3 The Huawei SUN2000-36KTL-M3 36kW 3phase inverter has a maximum efficiency up to 98.7 with an ...



[Huawei SUN2000 36KTL Three Phase Inverter M3](#)

The innovative Solshare unlocks solar power for flats across the UK. Mounting Fastensol pitched. Cost-effective and easy-to-fit system. Renusol pitched. The SUN2000 36 kW 3-phase string ...





[Inverter 36kW Huawei SUN2000-36KTL-M3](#)

Komercijalni Huawei inverter s trofaznim izlazom, idealno rjesenje za nove instalacije. 4 MPPT, 8 ulaza Kompatibilni optimizatori: SUN2000-450W-P Dostupni modeli: 30 KTL-M3, 36 KTL-M3, 40 KTL-M3 Budite prvi koji ce ...



[HUAWEI SUN2000-36KTL-M3 , Inverters](#)

HUAWEI SUN2000-36KTL-M3 - Transformerless 3-phase photovoltaic inverter with 36 kW rated power and 4 MPP trackers. Max efficiency of 98.7%, max voltage 1100 V for 400 Vac. With ...

HUAWEI SUN2000-36KTL-M3 - INVERTER DI STRINGA TRIFASE 4 MPPT 36 KW

Inverter di stringa Huawei SUN2000-36KTL-M3 trifase 4 MPPT da 36000 W Smart PV String Inverter. Scopri la serie completa di inverter fotovoltaici Huawei SUN2000-30/36/40KTL-M3 al ...



[Huawei SUN2000-36KTL-M3 36kW 40kVA Three](#)



Huawei SUN2000-36KTL-M3 36kW 40kVA Three-phase string Inverter 4 MPPT 27A. Huawei SUN2000-36KTL-M3 36 kW 3-phase power string inverter is a device that allows you to convert the direct current supplied by the solar ...



On Grid Inverter Huawei SUN2000-36KTL-M3 36kW

Grid Inverter Huawei SUN2000-36KTL-M3 36kW. Huawei is a brand known to everyone for their mobile phones. For several years, however, they have been entering the market with ...



Inverter di stringa Huawei 36kW trifase SUN2000-36KTL-M3 ...

Inverter Huawei: Acquista su Punto Energia Shop Inverter di stringa Huawei 36kW trifase SUN2000-36KTL-M3 solare fotovoltaico al miglior prezzo. Eging PV. Peimar. Ja Solar. ...

Huawei solar inverters , Solarity - distributor and wholesaler of

The FusionSolar app and the FusionSolar smart control system are available to operators for monitoring and controlling the photovoltaic system. Installing and commissioning Huawei solar ...



[SUN2000-30/36/40KTL-M3 Smart String Inverter](#)

2. Qualsiasi tensione di ingresso DC oltre l'intervallo di tensione di esercizio può causare il funzionamento improprio dell'inverter. 3. SUN2000-30-40KTL-M3 aumenta il potenziale tra PV ...



[Huawei SUN2000-36KTL Inverter](#)

The Huawei SUN2000-36KTL inverter is a three-phase solar inverter designed for commercial and industrial photovoltaic (PV) systems. It has a maximum DC input voltage of 1100 V and a maximum input current of 33 A per string. This ...



LPW48V100H
48.0V or 51.2V

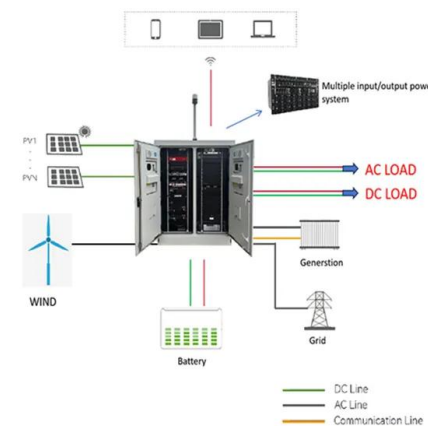


Huawei SUN2000 36KTL-M3 3 Phase Power Inverter (36kW)

The Huawei SUN2000 36KTL-M3 3 Phase Power Inverter is a high efficiency, high reliability option in the three phase string inverter market. It has a peak efficiency of 98.7% and a EU ...

Huawei Solar Inverter Sun2000 8kw 10kw 12kw Hybrid Inverter 30kw 36kw

Huawei Solar Inverter Sun2000 8kw 10kw 12kw Hybrid Inverter 30kw 36kw 40kw Three Phase International Huawei Inverter China Price, Find Details and Price about Huawei Inverter ...



Huawei SUN2000 36KTL-M3 36kW 3 phase inverter

The Huawei SUN2000-36KTL-M3 36kW 3phase inverter has a maximum efficiency up to 98.7 with an adaptable and flexible quad MPPT. Type II DC & AC surge arrestors are integrated ...



Huawei SUN2000 36KTL-M3 36kW 3 phase inverter

Part No: SUN2000-36KTL-M3 Inverters - Main Units Rating: 36,000W Phases: 3 The Huawei SUN2000-36KTL-M3 36kW 3phase inverter has a maximum efficiency up to 98.7 with an ...



[Huawei SUN2000 36KTL-M3 3ph Inverter](#)

The SUN2000-36KTL-M3 is a new inverter released by Huawei which is now more efficient and compact and has upgraded the inverters security level to IP66. This inverter also comes with ...

[Huawei SUN2000-36KTL-M3 36 kW](#)

Huawei SUN2000-36KTL-M3 háromfázisú inverter 36kW (SUN2000-36KTL-M3) 1 074 725 Ft. Ingyenes kiszállítás. Raktáron. Ez az inverter a Huawei fejlett digitális technológiájával ...



Solar Inverter Repair Service Huawei SUN2000 36kW

Don't let a faulty inverter disrupt your solar power generation. Choose European Network Services' Huawei SUN2000 36KTL, 36 kW Solar Inverter Repair Service and experience the ...



Pure Solar Power, Load Shed Busters, Exceptional Service

Download Data Sheet: HUAWEI SUN2000-36KTL 36kW 3Ph Inverter . Related products. Solis 25kW 5G 3 Phase Triple MPPT - DC R 34,358.71 Add to cart; SMA Sunny Tripower 20kW Three Phase Grid Tied Inverter R 58,849.93 Add ...



TAX FREE

ENERGY STORAGE SYSTEM

Product Model
HJ-ESS-215A(100KW/215KWh)
HJ-ESS-115A(50KW 115KWh)

Dimensions
1600*1280*2200mm
1600*1200*2000mm

Rated Battery Capacity
215KWH/115KWH

Battery Cooling Method
Air Cooled/Liquid Cooled

Huawei SUN2000-36KTL-M3 36kW 3-fázový inverterový menič

HUAWEI SUN2000-36KTL-M3 36kW 3-fázový inverterový menič. Vstupné údaje: Maximálne vstupné napätie - 1100V; Maximálny prúd cez MPPT - 26A; Maximálny skratový prúd na ...

Contact Us

For catalog requests, pricing, or partnerships, please visit:
<https://www.vdbconstruction.co.za>