

# Amazon power inverter





## Overview

---

What is power inverter?

Power inverter is a kind of product that changes the DC electricity to AC electricity and then offers power to small electrical equipment and digital products -It has been widely used in cars, Features: - Converts regular DC vehicle power to AC household power. - Perfect for campers and travelling to areas with limited electricity supply.

How much does a 4000W power inverter cost?

4000W Pure Sine Wave Power Inverters DC 12V to AC 110V 120V with Type-C Port 4 AC Outlets Dual USB Ports AC Terminal Blocks LCD Display Wireless Remote Controller for Home RV Solar System Car 4.4 out of 5 stars67 \$499.99\$499.99 \$50.00 coupon applied at checkout\$50.00 off couponDetails FREE delivery Mon, Oct 30 Or fastest delivery Tomorrow, Oct 27.

Where can I buy power inverters?

Check each product page for other buying options. Only 6 left in stock - order soon. Only 5 left in stock - order soon. Shop through a wide selection of Power Inverters at Amazon.com. Free shipping and free returns on eligible items.

What is the best power inverter for a car?

BESTEK Power Inverter DC 12V to 110V AC Car Inverter Power Conver. YSOLX 200W Car Power Inverter, DC 12V to 110V AC Converter, Fast Car. Online shopping for Power Inverters from a great selection at Electronics Store.

What are the features of a good power inverter?

A good power inverter should have high wattage, plenty of outlets, and resistance to overloads, short circuits, and high temperatures to keep your devices safe. It can convert DC power into power for AC devices, which is typical for most consumer electronics.



How much power does an inverter use?

Some of the inverters use multiple batteries so it is approximately 144 Watts to 288 Watts multiplied to the number of batteries to get the total power that will be consumed. So that is the power taken by the inverter to charge the battery from 0% to 100% plus another 120 Watts extra.



## Amazon power inverter

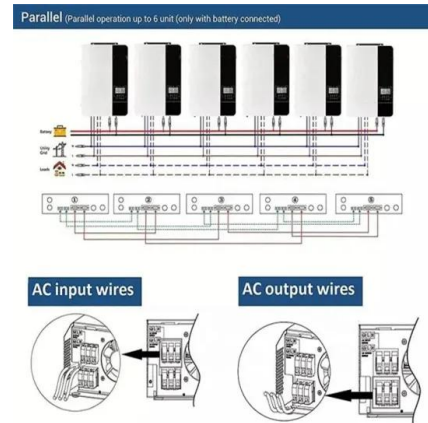


### [Amazon : 12v 220v Power Inverter](#)

Yinleader Inverter 500W 12v 220v LED, Power Inverter di Potenza 500W DC 12V AC 230V Invertitore di Corrente con 2 Porte USB 2.4A, Trasformatore per Auto Camper tablet phone fan Computer 4,0 su 5 stelle 404

### [Amazon .uk: 24 Volt Power Inverter](#)

3200W 4000W 5000W 6000W 8000W 9000W 12000W 15000W Pure Sine Wave Inverter Dc Power Inverters DC 12V/24V To AC 220V High Efficient Power Inverter For Truck,Boat,camping,household, Van (12V,15000W) £399.70 £ 399 . 70



### [Amazon : Energizer 4000 Watts Power Inverter Modified Sine ...](#)

Buy Energizer 4000 Watts Power Inverter Modified Sine Wave Car Inverter, 12V to 110 Volts, Two AC Outlets, Two USB Ports (2.4 Amp), Hardwire Kit, Battery Cables Included - ETL Approved Under UL STD 458 on Amazon FREE SHIPPING on qualified

### [Amazon.ca: Power Inverter](#)

Amazon's Choice for "power inverter" BESTEK 300W Power Inverter DC 12V to 110V AC Car Inverter with 4.2A Dual USB Car Adapter 4.4 out of 5 stars 36,358 200+ bought in past month \$42.99 \$ 42. 99 List: \$47.80 \$47.80 \$5.00 off coupon applied Save \$5.00



**Amazon : Power Inverters**

Inverter 1000W Car Power Inverters,12v DC to 110v AC Converter with Dual AC Outlets 3.0A USB and Type-C,12 Volt Inverter Car Cigarette Lighter Battery Inverter for Vehicles, Power Inversor 1000Watts 4.3 out of 5 stars



**Amazon : FOVAL 150W Car Power Inverter 12V DC to 110V ...**

Amazon Basics 75W Car Power Inverter 12V to 110V for Vehicles, Black, 5.07 x 2.65 x 1.6 inches 4.2 out of 5 stars (202) \$15.38 Frequently bought together This item: FOVAL 150W Car Power Inverter 12V DC to 110V AC Converter Vehicle Adapter Plug \$17.98



**1-48 of over 8,000 results for "power inverter"**

Amazon's Choice for "power inverter" Gwydre 200W Car Power Inverter, DC 12/24V to 230V AC Car Inverter,3 USB 1 Type-C Ports Charger Adapter Car Plug Converter with Switch and Current LED Screen,Suitable for Car, SUV & Truck (Sliver Grey) 4.4 out of 5 81





### Power Inverters: Buy Power Inverters Online at Best Prices

Online shopping for Power Inverters from a great selection at Car & Motorbike Store.  
FABOBJECTS® Vinsting,4000W Peak Power Modified Sine Wave Inverter LED Display 300W Rated Power Inverter DC 12V to AC 220V Converter High Frequency Car Power



### Lithium Solar Generator: \$150



### Amazon : BESTEK 1000W Pure Sine Wave Power Inverter ...

Buy BESTEK 1000W Pure Sine Wave Power Inverter DC 12V to 110V AC Car Inverter with Digital LCD Display 4.2A Dual USB Charging Ports: Power Inverters - Amazon FREE DELIVERY possible on eligible purchases In the event your product doesn't work

### Amazon : Ampeak 200W Car Power Inverter 4.8A Dual USB ...

About this item Fast Charging on the Go: The Ampeak 200Watts car power inverter is a fast-charging car cigarette lighter adapter inverter. Featuring two powerful 2.4A USB charging ports and one AC outlet. With DC 12V to AC 110V conversion, this power inverter



### Amazon : BESTEK 150W Power Inverter 12V to 110V ...

BESTEK Advantage: America's #1 power inverter brand on Amazon. Provides 150 watts continuous DC to AC power and 360 watts of peak power DC to AC Inverter: transform the voltage from DC 12V to AC 110V, the AC outlet and 3.1A dual USB charging ports ideal for powering laptops, tablets, smartphones, power bank and other electronic devices



**Amazon.ae: Power Inverter**

Amazon's Choice for "power inverter" Baytion Car Power Inverter, 200W Power Inverter with QC 3.0 & PD 3.1 Fast Charger,DC 12/24V to 230V AC Car Inverter,3USB 1 Type-C Ports Charger Adapter Converter for Car, SUV and Truck (Sliver Gray) 5.0 out of 5 stars

**ESS**



**Amazon : DEWALT DXAEP1000 Power Inverter 1000W Car ...**

Buy DEWALT DXAEP1000 Power Inverter 1000W Car Converter with LCD Display: Dual 120V AC Outlets, 3.1A USB Ports, Battery Clamps: Power Inverters - Amazon FREE DELIVERY possible on eligible purchases

[Amazon.ca: Solar Power Inverter](#)

BYGD 2000W Pure Sine Wave Inverter DC 12V to 110V AC Power Inverters with 4 AC Charger Outlets, QC 3.1A USB Ports and Type-C Ports Car Inverter Solar Power Inverters for Home Charging Ports, Vehicles 3.2 out of 5 stars 2



**Amazon : 3000 Watt Inverter, Inverter 12V to 110V/120V, Power**

Amazon Basics 1000W Car Power Inverter 12V to 110V for Vehicles, Grey, 13.81 x 7.44 x 3.07 inches 4.2 out of 5 stars (202) \$82.49 Buy it with This item: 3000 Watt Inverter, Inverter 12V to 110V/120V, Power Inverter for Vehicles, Car Inverter with Remote \$179.



### Amazon : Inverter

Inverter 1000W Car Power Inverters, 12v DC to 110v AC Converter with Dual AC Outlets 3.0A USB and Type-C, 12 Volt Inverter Car Cigarette Lighter Battery Inverter for Vehicles, Power Inversor 1000Watts 4.3 out of 5 stars



### Amazon : Cobra POWER 500W Power Inverter, Portable - ...

Amazon Basics 75W Car Power Inverter 12V to 110V for Vehicles, Black, 5.07 x 2.65 x 1.6 inches (198) \$15.18 Frequently bought together This item: Cobra POWER 500W Power Inverter, Portable - 500-Watt Car Charger, 2 Grounded AC Outlets, 2 \$48.45 \$ 48.

### Amazon : AIMS Power 3000 WATT Pure SINE Power Inverter ...

Amazon Basics 1000W Car Power Inverter 12V to 110V for Vehicles, Grey, 13.81 x 7.44 x 3.07 inches 4.2 out of 5 stars (202) \$82.49 Frequently bought together This item: AIMS Power 3000 WATT Pure SINE Power Inverter 12 VDC to 120 VAC - UL Listed +



### Amazon.sg: Inverter

1-48 of over 1,000 results for "inverter" Results. Check each product page for other buying options. Price and other details may vary based on product size and colour. Energizer 400 ...



### Amazon : Power Inverter

Amazon.ca: Power Inverter. 1-48 of over 30,000 results for "power inverter" Results. Check each product page for other buying options. FSATBTNE 400W Power Inverter 12V DC to 110V AC ...



### [Amazon : Solar Power Inverters](#)

BELTTT 3000W Pure Sine Wave Inverter 12V DC to 120V AC for RV, Truck, Off-Grid, Home, Solar Car Power Inverter with Dual AC, 20A Socket, 5V 2.1A USB, Hardwire Port, Remote Controller 23Ft Cable 2000 watt Solar Power Inverter, Solar Power Inverter 12V

### Amazon.ca: Inverter 12v

Amazon.ca: Inverter 12v. 1-48 of over 20,000 results for "inverter 12v" Results. Check each product page for other buying options. Amazon's Choice. 200W Car Power Inverter, PiSFAU ...



### Amazon : 3000 Watt Inverter, Inverter 12V to 110V/120V, ...

Amazon Basics 1000W Car Power Inverter 12V to 110V for Vehicles, Grey, 13.81 x 7.44 x 3.07 inches 4.2 out of 5 stars (202) \$82.49 Buy it with This item: 3000 Watt Inverter, Inverter 12V to ...



**Amazon : Renogy 3000W Pure Sine Wave Inverter 12V DC ...**

Amazon : Renogy 3000W Pure Sine Wave Inverter 12V DC to 120V AC Converter for Home, RV, Truck, Off-Grid Solar Power Inverter with Built-in 5V/2.1A USB, AC Hardwire Port, Remote Controller : Patio, Lawn & Garden In the event your product doesn't work

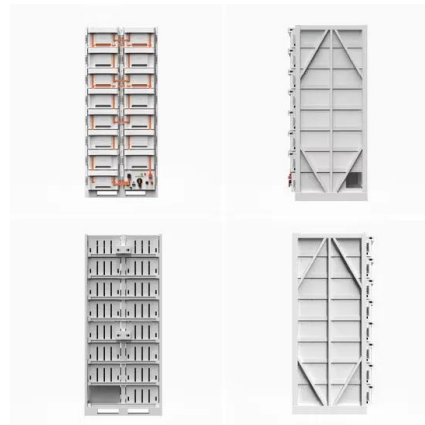


**Amazon : 140-Watt-Continuous Power Inverter : ...**

Buy 140-Watt-Continuous Power Inverter: Power Inverters - Amazon FREE DELIVERY possible on eligible purchases Automotive > Tools & Equipment > Jump Starters, Battery Chargers & Portable Power >

[Amazon : Ampeak 2000W Power Inverter 6.2A ...](#)

Buy Ampeak 2000W Power Inverter 6.2A Dual USB Ports 3AC Outlets Stable Voltage Output Inverter DC 12V to AC 120V 17 Protections for Truck, Hurricane, Rv: Power Inverters - Amazon FREE DELIVERY ...



**1-48 of 134 results for "power inverter 12v to 240v"**

Amazon's Choice for "power inverter 12v to 240v" Odoga 300W Car Power Inverter 12V to 240V / 230V Converter, USB-A and USB-C 3A Charging Ports - Charge Your Laptop, iPad, iPhone, Tablet, Consoles & More - Durable and Powerful - Red Aluminum Body 4.



[Amazon : Portable Power Inverters](#)

Inverter 1000W Car Power Inverters, 12v DC to 110v AC Converter with Dual AC Outlets 3.0A USB and Type-C, 12 Volt Inverter Car Cigarette Lighter Battery Inverter for Vehicles, Power Inversor 1000Watts 4.3 out of 5 stars



[Amazon .uk: Power Inverters](#)

Amazon's Choice for "Power Inverters" Odoga 300W Car Power Inverter 12V to 240V / 230V Converter, USB-A and USB-C 3A Charging Ports - Charge Your Laptop, iPad, iPhone, Tablet, Consoles & More - Durable and Powerful - Red Aluminum Body 4.3 out of 5

[The Best Power Inverters of 2024](#)

KRIEGER 1100 Watt 12V Power Inverter at Amazon \$99 Jump to Review Best Budget: BESTEK 300 Watt at Amazon \$30 Jump to Review Best for RV: AMPEAK 2000W Power Converter at Amazon \$180 Jump to Review Best for Cars: POTEK 500W at Amazon



**Amazon : Power Inverter**

Amazon's Keuze voor power inverter EDECOA Omvormer Zuivere Sinus 1500W 3000W Omvormer voor Buiten Auto Omvormer 12 V 230 V Spanningsomvormer Inverter Pure Sine Wave met Afstandsbediening 2 EU Stopcontact 2 USB Poort 4,2 van 5 sterren 1.431





[Amazon : BESTEK 300Watt Pure Sine Wave ...](#)

Buy BESTEK 300Watt Pure Sine Wave Power Inverter Car Adapter DC 12V to AC 110V with 4.2A Dual Smart USB Ports: Power Inverters - Amazon FREE DELIVERY possible on eligible purchases No Additional Cost: You pay nothing ...



[Amazon.ca: Power Inverters: Electronics](#)

350W Power Inverter for Dewalt 20v 60v Battery, 2-Ports DC 20V to AC 110-120V Pure Sine Wave Battery Inverter with 3 USB-A Port, 1 USB-C Port, 300lm LED Light for Camping Travel ...

**Amazon : FOVAL 200W Car Power Inverter, 12V DC to 110V ...**

FOVAL 200W Car Power Inverter Grey DC 12V to 110V AC Converter with 4 USB Ports Charger USB Output1-2: DC 5V/6.2AFOVAL power inverters safely charging your Phone, Ipad, MacBook, Laptop, Breast Pump, Cpap Machine, Xbox, Switch, Mspeakers, Camera, Nebulizer, Game Console, Kindle etc.,.



## Contact Us

For catalog requests, pricing, or partnerships, please visit:  
<https://www.vdbconstruction.co.za>