

Average solar plus storage price per 2MW in Czech





Overview

Are photovoltaic power plants available in the Czech Republic?

In the Czech Republic, the availability of photovoltaic power plants for households has never been better. According to pwXchange, the wholesale price of solar panels has halved since December 2022. Those who install a typical rooftop power plant can now save up to a hundred thousand crowns compared to the previous year.

How much does battery storage cost in Europe?

The landscape of utility-scale battery storage costs in Europe continues to evolve rapidly, driven by technological advancements and increasing demand for renewable energy integration. As we've explored, the current costs range from €250 to €400 per kWh, with a clear downward trajectory expected in the coming years.

Can energy storage improve solar and wind power?

With the falling costs of solar PV and wind power technologies, the focus is increasingly moving to the next stage of the energy transition and an energy systems approach, where energy storage can help integrate higher shares of solar and wind power.

Why are Czech businesses investing in renewable projects without subsidies?

The subsidy increases to cover up to 75% of costs for community projects. But what we noticed at Wattstor is that Czech businesses are investing in renewable projects even in the absence of subsidies, because they have realised the strong business case for generating clean energy on site.

Is there a potential for solar installations in Europe?

There is a huge potential for solar installations, with ideal climate conditions and substantial funding coming from the EU. The situation is similar in other areas of Central and Eastern Europe, where Wattstor has already completed a



number of successful renewable energy installations – such as Poland, Croatia and Slovakia.

How much does a power plant cost in China?

The price difference compared to the peak at the end of 2022 is almost a fifth, precisely one hundred thousand crowns. Currently, such a power plant costs approximately 400,000 CZK. The state continues to provide subsidies, which may cover up to half of the amount.



Average solar plus storage price per 2MW in Czech

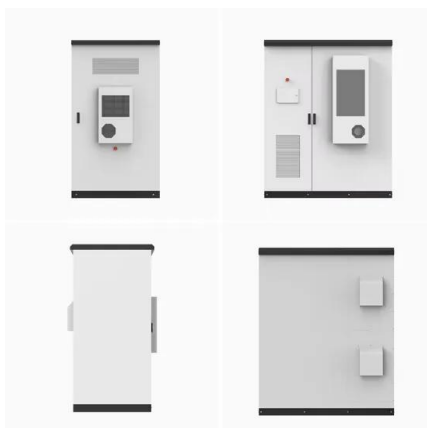


US Energy Storage Market Size & Industry Trends 2030

The United States Energy Storage Market is expected to reach 49.52 gigawatt in 2025 and grow at a CAGR of 21.62% to reach 131.75 gigawatt by 2030. Tesla Inc., Fluence Energy LLC, LG Energy Solution Ltd., NextEra ...

Germany concludes solar-plus-storage tender with average price ...

The final tariffs ranged from EURO.077/kWh to EURO.0878/kWh, with an average price of EURO.08/kWh. Through these tenders, the Bundesnetzagentur mostly selects PV projects ...



Bateriová úložiste

Bateriová úložiste, CZECH.SOLARNabízíme spicková bateriová úložiste pro vase komerční i rezidenční potreby. Získávejte nezávislost na síti a optimalizujte spotrebu elektriny díky nasim efektivním a spolehlivým bateriovým resením. S ...

Solar Farms: What Are They and How Much Do They ...

Compared to residential solar panel setups, a solar farm is much cheaper to build on a dollar-per-watt basis; you may pay between \$0.80 and \$1.30 per watt to build a solar farm rather than the \$2.86 per watt average cost ...

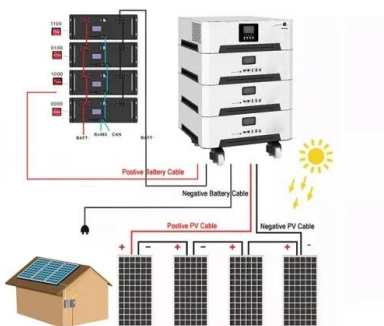


In-depth explainer on energy storage revenue and effects on ...

For utility-scale projects in California, storage contracts (whether for standalone storage projects or solar or wind projects paired with storage) typically include a fixed-price ...

Utility-Scale Battery Storage , Electricity , 2023 , ATB

The battery storage technologies do not calculate LCOE or LCOS, so do not use financial assumptions. Therefore all parameters are the same for the R& D and Markets & Policies Financials cases. The 2023 ATB represents cost and ...



Energy Storage 10.24MWh Solar Power Plant 2MW ...

PVMARS Solar is one of the most innovative manufacturers of solar energy storage technology. This is for you to pursue safer, more convenient, and more competitive prices for solar products.



Real Cost Behind Grid-Scale Battery Storage: 2024 ...

The rapidly evolving landscape of utility-scale energy storage systems has reached a critical turning point, with costs plummeting by 89% over the past decade. This dramatic shift transforms the economics of grid-scale ...



[Type here the title of your Paper](#)

It provides 1) projected installation costs for solar PV without storage and 2) projected LCOE for solar PV with and without battery storage. This projected cost will be analysed with respect to ...



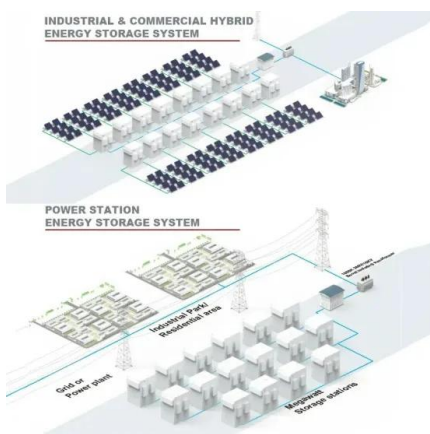
Average price to install solar panels Czechia

More than 1.39 million homes in the UK have solar panels; Solar panels not only save you money, but they can also earn you cash; Solar panels for the average three-bedroom house will cost ...



What Is The Cost Of Solar Panel In India? (2024)

Investing in solar panels is a significant step towards sustainable energy and long-term savings. This guide provides a detailed analysis of the cost of solar panels in India for 2024, factors influencing prices, government ...





[Solar Photovoltaic System Cost Benchmarks](#)

The U.S. Department of Energy's solar office and its national laboratory partners analyze cost data for U.S. solar photovoltaic systems to develop cost benchmarks to measure progress towards goals and guide research and development ...



[Solar and Storage Sizing Calculator](#)

The solar panel and storage sizing calculator allows you to input information about your lifestyle to help you decide on your solar panel and solar storage (batteries) requirements.



U.S. Solar Photovoltaic System and Energy Storage Cost ...

Based on our bottom-up modeling, the Q1 2021 PV and energy storage cost benchmarks are: \$2.65 per watt DC (WDC) (or \$3.05/WAC) for residential PV systems, 1.56/WDC (or ...



[1MW Battery Energy Storage System](#)

The MEGATRON 1MW Battery Energy Storage System (AC Coupled) is an essential component and a critical supporting technology for smart grid and renewable energy (wind and solar). The ...





Cost Projections for Utility-Scale Battery Storage: 2021 ...

Executive Summary In this work we describe the development of cost and performance projections for utility-scale lithium-ion battery systems, with a focus on 4-hour duration ...

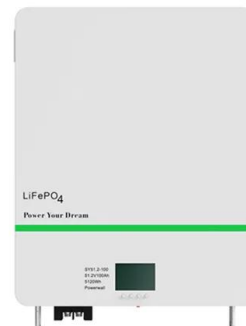


Energy Storage in the Booming Czech Market

The high penetration of renewable generation projects in the region could deliver a large amount of clean energy and really accelerate the journey to net zero, but at the moment Czech companies are not in a position to reap the full benefits ...

Czech Republic energy storage market report , Wood Mackenzie

The report explores key trends such as the impact of rising electricity prices, evolving subsidy programs, and the role of energy storage in achieving long-term ...



Energy storage costs

Overview Energy storage technologies, store energy either as electricity or heat/cold, so it can be used at a later time. With the growth in electric vehicle sales, battery storage costs have fallen ...



Residential Battery Storage , Electricity , 2024 , ATB

The average annual reduction rates are 1.4% (Conservative Scenario), 2.3% (Moderate Scenario), and 4.0% (Advanced Scenario). Between 2035 and 2050, the CAPEX reductions are 4% (0.3% per year average) for the Conservative ...

Energy storage(KWh)
102.4kWh
Nominal voltage(Vdc)
512V
Outdoor All-in-one ESS cabinet



- LiFePO₄
- Wide temp: -20°C to 55°C
- Easy to expand
- Floor mount&wall mount
- Intelligent BMS
- Cycle Life:≥6000
- Warranty :10 years

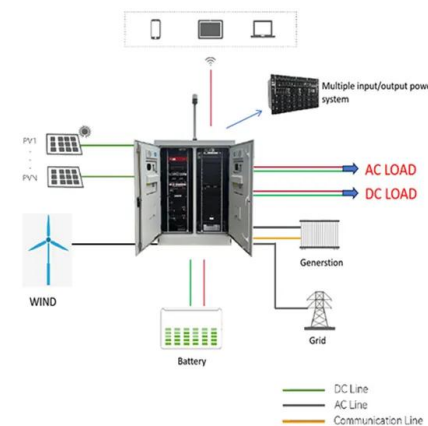


UK energy storage in 2024: What's the state of play?

1. Sunnica Solar-plus-Battery Energy Storage System Capacity: 500MW A lithium-ion battery in the UK, which is owned and developed by Sunnica, and will be commissioned in 2025. The project is located across ...

Global Power Storage Pricing: BESS Most Cost ...

Key View Battery energy storage systems will be the most competitive power storage type, supported by a rapidly developing competitive landscape and falling technology costs. We expect the price dynamics for ...



Real Cost Behind Grid-Scale Battery Storage: 2024 ...

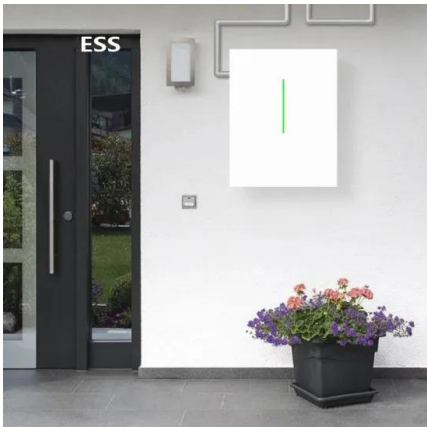
Current projections indicate that utility-scale battery storage costs will continue to decrease by 8-10% annually through 2030, driven by increased production volumes and ongoing technological innovations.



Estimating the Setup Cost for a Solar Plant in India

To figure out the solar panel cost per watt in India, look at a 1MW solar power plant's setup. It includes top-quality solar panels, strong frames, the latest inverters, and batteries.

Our Lifepo4 batteries can be connected in parallels and in series for larger capacity and voltage.



Solar plant with battery storage capacity, do the numbers

In this new article, I will examine the numbers behind developing a solar plant with a battery storage facility attached to it. Do the numbers stack-up? What is needed for this ...

[0.5MW 1MW 2MW 10MW 5MW ESS Container ...](#)

The Latest Price Of 0.5MW 1MW 2MW 10MW 5MW ESS Container Energy Storage System Off On Grid With Solar Power Battery, Cost High Quality Solar And Competitive Price, Three Phase Off Grid Solar Power System



U.S. Solar Photovoltaic System and Energy Storage Cost

The final results were disaggregated system costs in terms of dollars per direct-current watt of PV system power rating (\$/Wdc), dollars per kilowatt-hour of energy storage (\$/kWh), and dollars ...



What does a commercial solar panel system cost

The largest price component, lithium ion battery price, will hold a decent amount of stability across installations in this sector - as long as you hit a minimum size. This minimum size, per industry ...



How Much Does Commercial & Industrial Battery Energy Storage Cost Per ...

In today's rapidly evolving energy landscape, businesses are increasingly looking to battery storage as a way to manage energy costs, ensure reliability, and support ...

Contact Us

For catalog requests, pricing, or partnerships, please visit:
<https://www.vdbconstruction.co.za>