

Can I step on the flat top of a photovoltaic panel





Overview

Having renewable energy installed on any type of property has a few positives and negatives. However, installing solar panels on a flat roof comes with a few hurdles that you'll have to address.

- you'll be using green energy and reducing your carbon footprint
- you can generate your own electricity and save some money
- People can't see the panels when walking past your.

There's only a few negatives to having a flat roof system, and a mounting system eliminates most of these issues. · The warranty for solar panelson a flat roof can become void. The.

According to Stanford University, the best angle for flat roof solar panels is 37 degrees. The correct positioning of flat roof solar panels will help to maximise the absorption of the sun's rays. Another benefit of positioning the.

Flat roof solar panel installation falls under permitted development so you shouldn't need to apply for planning permission. As long as your panels do not.



Can I step on the flat top of a photovoltaic panel

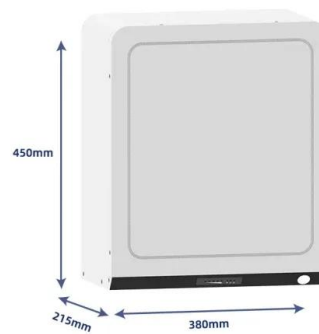


[The Complete Guide to Balcony Solar Panels](#)

1. Photovoltaic Balcony Panels. These are the most traditional type of balcony solar panels, consisting of photovoltaic cells that convert sunlight into electricity. They can be ...

Solar Panels on Flat Roofs: Costs, Pros & Cons ...

Yes, you can install solar panels on flat roofs. For these panels, it's important to leave sufficient spacing between the solar panel rows for access and to prevent shading from one row onto the next. While a flat angle ...

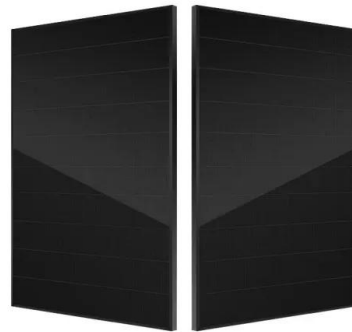


Solar PV for Flat Roofs Design Considerations

In the UK, solar photovoltaic (PV) is a popular renewable energy and its deployment is rising rapidly across the globe. With recent fluctuations in energy markets and carbon reductions ...

[Solar Panels For Flat Roofs: A complete guide](#)

Solar arrays can integrate smoothly with the roof surface with careful design and installation, producing a sleek and modern appearance. Flat roof solar installations are an appealing alternative for people worried about the visual ...



Test certification
CE, FC

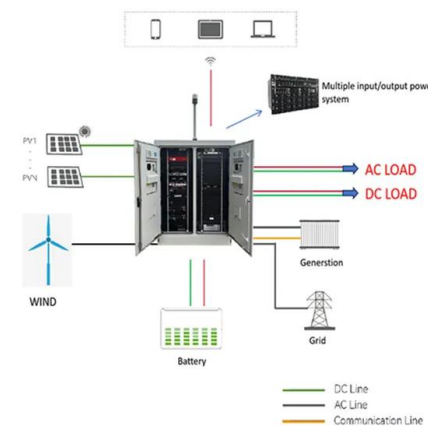


Photovoltaic Basics (Part 1): Know Your PV Panels for Maximum

Assuming reserving 50% of it for photovoltaic panel production and knowing that using the crystalline technique requires 20 kg of silicon per kWp to be produced, each year ...

Solar Panel Wiring Basics: Complete Guide & Tips to Wire a PV ...

Microinverters can be used in PV installations that will or will not be partially shaded, or even those that will be modularly expanded in the future. Wiring your solar panel ...



7 Steps How to Install Solar Panel: Step-by-Step Guide ...

Here is the simple steps to install solar panels
Step - 1: Solar Panel Installation Made Easy
Step - 2: Assembly of Solar Panels
Step - 3: Electrical Wiring
Step - 4: Connection between Solar Panel and Solar Inverter ...





pv module clearances from roof edge , on ElectriciansForums

Hi Not sure if you found the answer but in the publication Planning And Installation Photovoltaic System 2nd edition, P276 7.2.1 it states" in order to reduce the wind ...



How To Mount Solar Panel -- A Step-by-Step DIY Guide

In this guide, we'll use EcoFlow's 400W rigid solar panel as an example. With an industry-leading 23% efficiency rating and an IP68 waterproof rating, EcoFlow's rigid solar ...

[A consumer's guide to solar pv installation](#)

Page 3 of 11 - A consumer's guide to solar PV installation Solar power Solar panels capture the sun's energy, harnessing its power for use in our homes and businesses. And it's all down to ...



Shading effect and energy-saving potential of rooftop photovoltaic ...

Shading effect and energy-saving potential of rooftop photovoltaic on the top-floor room. Author links open overlay panel Zongyao Ma a, Lei Hu b, Hongzhi Mao a, the ...





The best angle and direction for solar panels [UK, 2024]

6 ???· Solar panels on a flat roof. Flat roofs can support solar panels, but only in limited circumstances. Homeowners with flat roofs used to need planning permission to install solar panels, but in December 2023 the government ...



How are Solar Panels Installed in the UK?

Solar panels can be installed on flat roofs. The advantage of flat roof installations is that it's possible to adjust the mounting frames and set them at the optimal. Achieving the ideal angle amplifies the system's output. Thanks to ...

DIY solar panels UK: Our guide to do-it-yourself solar power

For example, a full 3.4kW 10-panel kit from Plug-in Solar costs £4,728. If you balk at the idea of installing a full rooftop solar array by yourself, you can buy smaller DIY ...



12.8V 200Ah



Can Solar Panels be Laid Flat on the Roof? (or Angled?)

Can Solar Panels be Installed Flat? Yes, you can install solar panels flat, but they will experience a degree of energy loss without the slightest inclination toward the sunlight. Although it ...

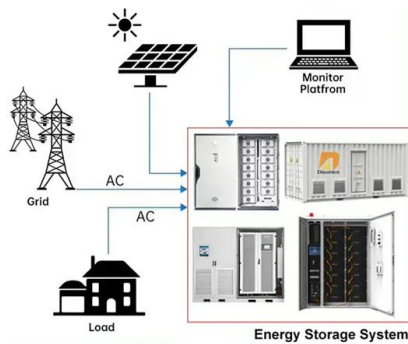


Solar Panels for Flats and Apartments in the UK: A Guide

Solar panels can take up a lot of space: A solar panel that can fully cover your needs, assuming you need a system that can generate 3kW to 4kW, can take up 16m². You may not have the space for this and, even if you do, you will have ...



DISTRIBUTED PV GENERATION + ESS



Solar Panels for Apartments in the UK: November 2024 ...

Solar panel installation can be expensive. To give you an idea, a standard 250W solar panel in 2022 costs £400-£500; however, it is not enough to power an entire home. A 3kW solar panel system --which is ideal for ...

Can You Walk on Solar Panels? (2024) , Today's ...

In short, yes. However, while walking on solar panels is possible and safe for you and the panels, it is not always recommended. To help you understand more about it, in this article, we explain how resistant solar ...



But I can only have 4kW of Solar PV on my roof?

The adoption of storage really took off in 2017 with many customers installing a PV system with a battery. Now here's the thing, if you're installing a battery on it's own in a domestic property ...



Solar panel installation

On a flat roof, the highest part of the solar PV equipment should not be more than 600mm higher than the highest part of the roof (excluding chimney). In some cases, however, permitted development rights are more limited.



Considerations for Solar Photovoltaic (PV) Installations

The Photovoltaic (PV) Ready Guidelines, also created by NRCAN, describe design considerations and specify modifications builders can make to new attached and detached homes in ...

[How to Install Solar Panels on a Shed](#)

Step 2: Work on the solar panel connections. Secure at least two parallel solar panel support rails onto the shed roof. Ensure they're anchored and weatherproofed to withstand outdoor ...



[Solar Panels On A Flat Roof , RenewGenius](#)

Assessing the structural capacity of a roof is an essential step in determining the feasibility of deploying photovoltaic systems on rooftops. A flat roof can be a suitable location for installing solar panels, but it is critical to evaluate its ...



Wind load characteristics of photovoltaic panel arrays mounted on flat ...

Roof mounted photovoltaic (PV) panel systems are widely used in modern society. The natural flow of wind effectively reduces the elevated temperature and the direction ...



A step-by-step guide to installing solar panels , Homebuilding

For solar panels on a flat roof, mounting systems are slightly different and can include a triangle 'ballast' box to support the panels. For solar thermal panels (with cells that ...



How To Install Solar Panels On A Roof & Connect Them

Having a panel off, would personally bother me for the next 20 years, so I spent the extra hour to two here to get as close to perfect as I could. Step 8: Attach The Optimizers: ...



[The Ultimate Guide To Flat Roof Solar Panels](#)

As a result your installer can ensure that your panel sits at an angle to capture the optimum amount of solar rays, whilst remaining self-cleaning in the rain. Just like how ...





[A guide to solar panels for flats](#)

Yes, you can install solar panels and benefit from solar power if you live in a flat, whether you own or rent. However, it is a bit more complicated than it would be you lived in a ...



Can you put solar panels on a flat roof? , The Eco Experts

Although flat roof solar panel systems are more commonly found on commercial buildings, they also work well on domestic properties. Flat roof panels can make some ...

[The Complete Guide To Rooftop Solar Mounting](#)

There are several ways to secure a solar panel to a roof without drilling. You can use adhesive or industrial-strength magnets to attach the panel to the roof. You can also use ...



Can you put solar panels on a flat roof? , The Eco Experts

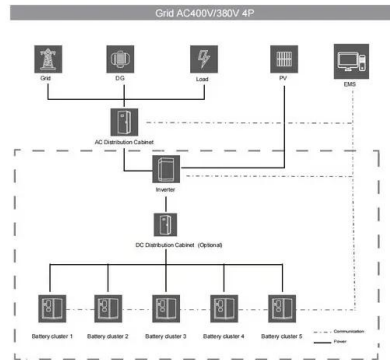
Similar to regular photovoltaic (PV) systems, solar thermal panels can be attached to a flat roof with a mounting rack. Do I need planning permission for solar panels on a flat roof? You shouldn't need planning ...





Can You put Solar Panels on a Flat Roof?

However, solar panels that are laid flat down on top of a flat roof will not generate as much electricity. If you want to avoid all of the disadvantages, you will have to invest in a mounting system. The average cost of racking for ...



Contact Us

For catalog requests, pricing, or partnerships, please visit:
<https://www.vdbconstruction.co.za>