

# **Can solar panels be installed horizontally**





## Overview

---

Due to the sun exposure on your roof, a horizontal orientation will be exposed to more light throughout the day and therefore provide you with more energy. Ultimately, it doesn't matter if your solar panels are horizontal or vertical. Should solar panels be horizontal or vertical?

Due to the sun exposure on your roof, a horizontal orientation will be exposed to more light throughout the day and therefore provide you with more energy. Ultimately, it doesn't matter if your solar panels are horizontal or vertical. Your solar system was likely designed to best fit your individual needs and preferences!.

Are horizontal solar panels more efficient than vertical solar panels?

Horizontal solar panels are more efficient than vertical solar panels as they imbibe solar energy throughout the day. Evaluating your location's solar potential is crucial, considering factors like latitude, shading, and roof orientation. Horizontal or vertical installation depends on optimizing sunlight exposure.

Why should you choose a horizontal solar panel orientation?

This orientation complements the local aesthetic in areas where horizontal solar panels are the norm for visual coherence. Opting for a horizontal orientation is a wise decision when your roof receives abundant sunlight, as it ensures consistent exposure to light throughout the day, resulting in higher energy generation.

What is vertical solar panel installation?

Vertical solar panel installation is an arrangement of panels that are mounted in a vertical orientation on a rooftop or other structures. This kind of installation is also known as portrait orientation, where panels are positioned flat parallel to the ground, often perpendicular to the roof's surface.

Which way should solar panels be oriented?



Solar-paneling construction and installation services often face a medley of issues, including which way to orient the panels – whether vertical (portrait) or horizontal (landscape). This blog is going to break down how the landscape and porch orientations influence the cost.

How are solar panels installed on a roof?

Solar panels are mounted to the rafters on your roof using “rails.” Since panels are not as wide as they are tall, it takes fewer rails to install the panels in a vertical orientation than in a horizontal orientation. Less railing means less overall cost!



## Can solar panels be installed horizontally

---



### Which Solar Panel Direction (Orientation) Is Best?

Some small ones can only cope with solar panels facing a single direction, but most can handle two, three, or more directions at once. It's also possible to use two or more ...

### Vertical vs. Horizontal Solar Panels: Does Orientation Matter?

As the adoption of solar energy continues to rise, homeowners and businesses are looking for the most efficient ways to harness the sun's power. One question that often comes up is whether the orientation of solar panels--vertical or horizontal--makes a difference in their performance. In this blog, we'll explore the factors that influence the efficiency of solar panels ...



### [How to angle to solar panels properly](#)

Is it possible to install solar panels horizontally? Solar panels can also be used on flat roofs. The majority of commercial structures have flat roofs, which are ideal for flat roof solar systems. Additionally, they can be employed in residential structures. What Is The

### Which Is More Important: Solar Panel Orientation or Angle?

This results in a limit to the number of solar panels you can install compared to how many



you could install if they were flush against the surface. If you're not sure how many panels could fit on your home or if your roof is ideal for solar, here's a great article to help you determine if you're a good fit for solar .



### Should I Mount My Solar Panels Landscape or Portrait Orientation

If the rails are horizontal, you may still be able to mount solar panels horizontally if the engineering says it is okay. However, that is often not the case. Some installers ignore that fact. If you think about it, the panels are connected to the rails at only 4 places.



### Vertical Solar Panels explained , blog by Everybody ...

Vertical solar panels, also known as "vertical solar arrays," are solar panels that are mounted vertically rather than horizontally. Traditional solar panels are typically installed on rooftops or in large fields, angled to capture ...



### New Research Says Vertical Solar Panels Have ...

Solar panels installed on agricultural land can support the growth of certain crops by protecting the crops from wind and heat. Flower strips for more biodiversity are possible directly under the





### Mounting Solar Panels on a Wall. A New World of Potential

Mounting Harnessing the Sun: Detailed Guide to Installing Solar Panels on a Wall. Installation Tips, Advantages of Vertical Mount and More Home solar energy system owners have traditionally focused on installing panels on rooftops. However, wall mounting offers an alternative for properties with unsuitable roofs due to structural issues or shading. This guide ...

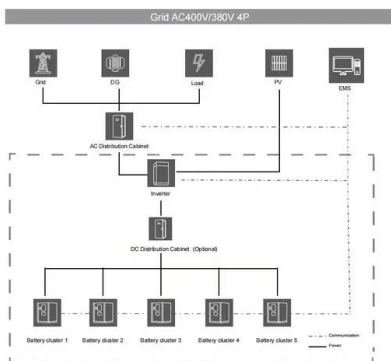


### Can Solar Panels Be Mounted Vertically?

To sum up, solar panels can be installed vertically or horizontally, depending on your choice and the limitations of the installation site. UISOLAR can customize the most suitable solar mount plan for you according to your actual situation.

### Exploring the Advantages of Vertical Solar Panels

This is particularly advantageous in urban environments where tall buildings or surrounding structures can cast shadows on traditional horizontally installed solar panels. Vertical solar panels can be mounted individually or as part of an integrated system, forming a cohesive and aesthetically pleasing solar installation.



### Do Vertical Solar Panels Make Financial Sense?

Most solar panels are installed almost horizontally, either on ground mounts or on roofs, to maximize benefits. First, it's easier to install when you can stand without the need for scaffolding, leading to a cheaper installation. Secondly, our solar mounting hardware is



### Which Solar Panel Direction (Orientation) Is Best?

Because solar panels are so much cheaper than they used to be, my usual advice is to simply fill your roof and install as much solar capacity as will reasonably fit, regardless of direction. You may not think you'll need that much, but in the future you're likely to have a home battery and/or one or more electric cars, so filling the roof with solar is a great way to future ...

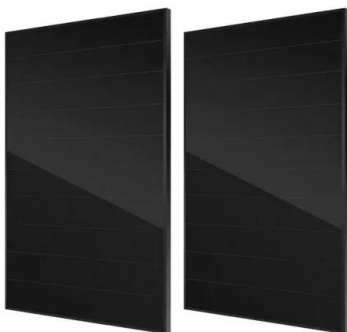


### Where Can Solar Panels Be Installed ? Nov 2024

Where Can Solar Panels Be Installed - If you are looking for perfect panels and help from qualified professionals then try our service. solar panels installed free, self installed solar panels, how to install solar system, installing your own solar panels, get solar cost

### Solar PV fixings and wind loading

horizontally on the roof. Solar PV panels on a flat roof are often installed on an A-frame mounting system or on a Ground-mounted solar PV panels can be fixed to the ground using concrete pile or raft foundations. To reduce the environmental impact of some



### Vertical Solar Panels: A Full 2024 Guide

Vertical solar panels break away from the conventional wisdom that solar panels must be placed horizontally to capture sunlight optimally. These panels are engineered with a design that allows them to efficiently capture solar energy even when installed on a vertical wall.



## Can you Set Up Solar Panels on Your Apartment Balcony?

Small apartment balcony solar power setup  
Here's a comprehensive guide on how to set up solar panels on your apartment balcony: Step 1: Assess the Balcony's Suitability Before installing a balcony PV system, it's important to assess the suitability of your



### Can Solar Panels Be Mounted Horizontally?

Solar-paneling construction and installation services often face a medley of issues, including which way to orient the panels - whether vertical (portrait) or horizontal (landscape). This blog is going to break down how the landscape ...

## Why Landscape Solar Panels Can Be Better (But More Expensive)

Also, I'm finally getting ready to install the solar panels after a long delay from builder, I will maximise the number of panels combining portrait and landscape. I will install 51 390 W to use a 15KW string Inverter (Goodwe GW15KLV-MT).



## Why are solar panels installed horizontally or vertically?

You may have seen solar systems that look a little bit different from each other because sometimes the panels are installed in a horizontal orientation and s



### How Are Solar Panels Installed? , Step-by-Step Guide 2024

The panels themselves can be installed vertically or horizontally. Step four: The solar panels are installed Once the mounting system is set up, it's time for the moment we've all been waiting for: getting the solar panels onto the roof.

LPSB48V400H  
48V or 51.2V



### Solar Panels on a Garage Roof in the UK: A 2023 Guide

On a sunny day in the UK, your garage roof can be silently working away to save you money and help the environment. In 2023, this is a reality that more and more people are embracing solar panels on a garage roof. Yes, we're talking about solar panels on a garage roof in the UK! on a garage roof in the UK!



### Can Metal Roofing Be Installed Horizontally

Metal roofing can be installed horizontally refers to the placement of metal panels in a horizontal orientation rather than the traditional vertical orientation. While vertical installation is the most common method, horizontal installation can be considered for specific design purposes or to achieve a unique visual effect.



### Solar Panels Vertical Or Horizontal (Which Orientation Is Best!)

With the vertical orientation, you can install two rows of six solar panels because they fit in a compact area. Horizontal panels take up more space, so you'll most likely need to ...





## Solar Panels For Flat Roofs: Are They Right for You? , EnergySage

If you have a flat roof, you might not realize that solar can work well for your home or business. You'll need more racking equipment to ensure your panels face south and are at an optimal angle. But similar to ground-mounted setups, flat roof solar panel systems aren't constrained by natural roof features, making it easier to get the most out of your solar panels.



## Horizontal Vs Vertical Solar Panel Installation: Which Is Better?

Vertical solar panels can be installed on building walls, flat roofs and ground. Additionally, bifacial vertical solar panels are more energy-efficient than wall-mounted vertical and roof-mounted horizontal solar panels. Contents 1 Horizontal Vs Vertical Solar Panels

## The best layout of solar modules:Horizontal vs. Vertical

There are two ways of arranging solar modules in photovoltaic power stations, horizontal and vertical. Horizontal means that the long side of the solar module is parallel to the east-west direction, while vertical means that the short side is ...



## Vertical vs. Horizontal Solar Panels: Does Orientation Matter?

One question that often comes up is whether the orientation of solar panels--vertical or horizontal--makes a difference in their performance. In this blog, we'll ...



## Find Out Why Landscape Solar Panels Can Be Better

Have you anytime found that majority of photovoltaic cells installed on roofs in Australia are fixed in portrait alignment? Portrait alignment is more widespread as it's reasonable and faster to install solar panels in this way. In today's post, our solar experts at Vista EC will explain why the alignment of solar panels Perth is an important matter and why you might be wealthier with



## Solar on Asbestos, Decramastic, Timber, or Old Roofs ...

The CEC states that accredited solar installers cannot install solar panels onto this type of roofing. Timber tile roofs A timber roof is generally not recommended for solar installations, as the timber is fragile and can easily crumble during ...



## Selecting the Correct Approach to Install Solar ...

Solar panels are typically installed horizontally to maximize their exposure to the sun's direct rays. However, in certain circumstances, solar power systems for homes may be installed vertically for specific reasons.



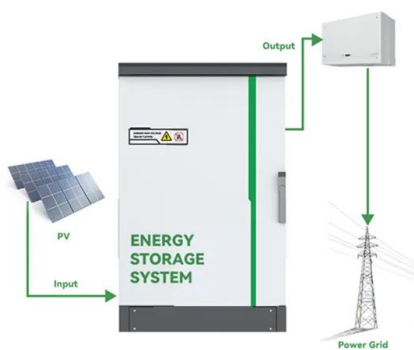
## Here Is All You Want To Know About Vertical Solar ...

Horizontal solar panels are too common, and it might come as a surprise to many that solar panels can be installed vertically. Maximum solar panels are installed almost horizontally, either on the roofs or on the ground mounts, to maximize ...



## Vertical Solar Panels , Costs & Benefits (2024)

Vertical solar panel output vs normal solar panel output According to a recent German study, bifacial vertical solar panels are seven times more efficient than normal roof-mounted solar panels because they can catch the sun any time of the day. With that being said, wall-mounted vertical solar panels (with only one side facing the sun) will typically produce less ...

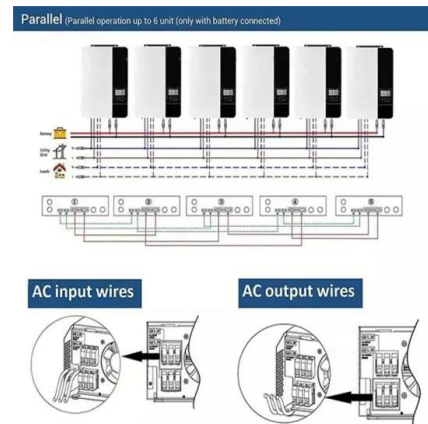


### Can I Mount Solar Panels Vertically?

Can fit on uniquely shaped surfaces - Vertical solar mounts can be installed on tapered, irregularly shaped, or narrow surfaces. Angled mounts require rectangular flat spaces. Easier to clean and maintain - Accessing vertically placed solar panels is easier for cleaning and maintenance purposes.

## Horizontal Vs Vertical Solar Panel Installation: Which Is Better?

Horizontal solar panel arrays are an energy-efficient and budget-friendly option, suitable for both rooftops and outdoor spaces. Vertical solar panels can be installed on building ...



## Contact Us

For catalog requests, pricing, or partnerships, please visit:  
<https://www.vdbconstruction.co.za>