

Connecting different wattage solar panels





Overview

How do you connect mixed wattage solar panels?

If mixed wattage solar panels are connected in series, the total voltages are added. But the amps are reduced to the current of the lowest panel. To connect solar panels in parallel, connect all of the positive wires together. Do the same with the negative wires. Be sure that you are using the right wires before connecting the panels.

How do mixed wattage solar panels work?

If mixed wattage solar panels are connected in parallel, the total amps are added, but the voltage of the system reduces to the voltage of the lowest panel. You could choose a combination of series and parallel circuits to benefit from the advantages of both.

How do I connect solar panels with varying wattage ratings?

When using solar panels with varying wattage ratings in conjunction with one another, it is imperative that the appropriate wiring system be selected in order to connect the individual panels. The wiring system can be connected in either series or parallel, and the correct choice will depend on the wattage of the panels.

How to connect solar panels?

Parallel connections, like series connections, are one of the simplest ways to connect solar panels, and they can also be effective if you want to do things yourself. When and if you want to raise the total output of the array while keeping the voltage rating the same, this is the connection to use.

Should I connect a solar panel in series or parallel?

This indicates that you should connect panels in parallel rather than series when you have panels with ratings of the same voltage but of different wattages. If you have panels with the same current rating but different



wattage, you should connect them in series.

Can I mix different wattage solar panels?

Yes, it is possible to mix different wattage solar panels. But it's not generally recommended as it can lead to loss of efficiency and power output. If I Still want to mix wattages, what is the right way to go about it?

You can connect different wattage solar panels either through series or parallel wiring or by using microinverters.



Connecting different wattage solar panels



Mixing Different Wattage Solar Panels: Good Practice Or Not?

Is Mixing Different Wattage Solar Panels Possible? Let us understand the concept with the help of an example. Have you ever bought a 200-watt solar panel and wondered if it can be used with your

Connecting Solar Panels Together

In this method all the solar panels are of different types and power rating but have a common current rating. When they are connected together in series, the array produces 21 volts at 3.0 amps, or 63 watts. Again the output amperage will ...



Can You Mix Solar Panels? - A Comprehensive Guide to ...

For example, if you have two 12V solar panels with different wattage ratings (say 100W and 150W), connecting them in parallel will result in an uneven distribution of power between them since they have different maximum power points (MPPs).

How to connect solar panels in parallel and series

Connecting two portable solar panels, or any other type of solar panel, (same wattage) in parallel will multiply the total power output current by 2 and keep the system voltage at the same level. Parallel solar panel connections



should be made using 'Y' connectors available at REDARC.



Can You Connect Different Wattage Solar Panels ...

Connecting different wattage solar panels is certainly possible but does require some special considerations compared to uniform wattage array setups. Following proper electrical guidelines, selecting appropriate wiring ...

Is It Better to Connect Solar Panels in Series or Parallel?

If all the solar panels have the same size (same wattage, voltage, and current), then it doesn't make a significant difference whether you connect them in parallel or series. Quick answer: If you need quick and straightforward answers about which one would be best for you, scroll all way down to the Summary session.



Should I connect my Solar Panels in Series or Parallel?

There are two ways to wire up Solar Panels. Series and Parallel. Both have their own purpose and applications and both have different outcomes when hooking up Solar Panels of different wattage together. Firstly lets take a look at connecting Solar Panels in



Can I Mix Different Wattage Solar Panels? An Expert ...

Yes, you can mix different wattage solar panels. However, to maximize efficiency, they should have the same voltage and current specifications. If these are mismatched, your solar system may not perform ...



Mixing Solar Panels

The Secrets to Connecting Different Solar panels in Series or Parallel- The Definitive Guide Let's get straight to the point. The basics of connecting different photovoltaic panels in series or parallel Mixing solar panels of various voltage or wattage, or produced by different manufacturers, is a frequently asked ques

Can You Mix And Match Solar Panels? [Updated: October 2024]

When connecting different solar panels, it's important to remember that voltage or current might be reduced, which can lead to a lower output. Additionally, mismatched solar panels can cause power losses due to reduced current. Can You Mix Different Wattage



Higher Anti-Rust Performance
Lower Internal Impedance



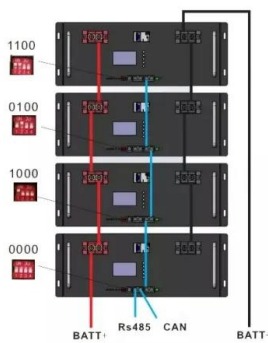
Mixing Different Wattage Solar Panels (The Do's and Don'ts)

Whether you connect solar panels in series or in parallel, the total power output (in Watts) is the sum of the power generated by each solar panel. The difference between ...



Ultimate Guide to Solar Panels in Series vs. Parallel

There are two options for connecting numerous solar panels in a system: series and parallel. This blog aims to explain why wire solar panels are in series or parallel, compare their differences, pros, and cons, and discuss which connection is the ...



Mixing Different Wattage Solar Panels: Good Practice ...

There are two ways different wattage solar panels can be matched: 1. Using series or parallel wiring. 2. By using microinverters. Series or Parallel Wiring. If you want to acquire a higher voltage, a series connection is a ...

Mixing Solar Panels: Can I Mix and Match Solar ...

But you can avoid losses by separating the different solar panels into an array with no mismatched panels, each with a dedicated solar charge controller. Using our example of two 95w panels and a 130w panel, we ...



CE UN38.3 MSDS



Connecting different wattage solar panels in parallel

I have a Renogy 100w 12v suitcase panel that when I attach it to my Anker 757 power station I am getting around 85w. When I attach a 200w 12v Renogy eclipse solar panel I get about 170w. When I connect them in parallel I am getting about 180 - 190w when I would expect to get $85w + 170w = 255w$



Connecting Multiple Solar Panels - Series vs. Parallel

Determine the best way of connecting multiple solar panels with our description of design options of the series and parallel connections of solar panels with The main advantage of this configuration is reliability. In case when one or more solar panels are affected either by shading or by other damage caused during the manufacture or along the life-cycle of the ...



What are the rules for mixing panels of different wattage or even ...

Panels in parallel deliver the sum of the currents, panel volts for maximum power need to be similar, +/- 1 volt on 20 volt panels, +/- 2 on 40 volt panels. If you have strings of panels connected, each string ideally should have the same total volts, a variation up to 10% is possible with a slight loss.

Mixing Solar Panels

Renewable energy systems often require mixing different solar panels to meet specific power requirements. This article will explore the intricacies of connecting solar panels in series and parallel configurations. Understanding the effects of ...



[How to Mix and Match Solar Panels](#)

Note: To get the maximum efficiency from your system and keep your 100W panel, you should get an additional controller for your new solar panels. How to Mix Different Wattage Solar Panels There are two wiring options when ...



Can I Mix Different Wattage Solar Panels? An Expert Review

Series Connections for Different Wattage Solar Panels Connecting panels in a series implies linking one panel after the other -- similar to a daisy chain. The voltages of each panel then sum up, but the current (Amps) remains the cycle's lowest link. When it



Can I Mix Different Solar Panels? - Energy Connections

Mixing different solar panels in parallel Maximum voltage on a string of modules must always be lower than maximum input DC voltage of the inverter. When connecting different solar modules, it's not the different wattage, it's actually the current (for series

Mixing Different Wattage Solar Panels: Good Practice or Not?

The most asked question related to the power is whether mixing different wattage solar panels is possible. After addressing this question, we have come to various things which are shared in this article. To Connect Two Solar Panels To One Battery Connecting two



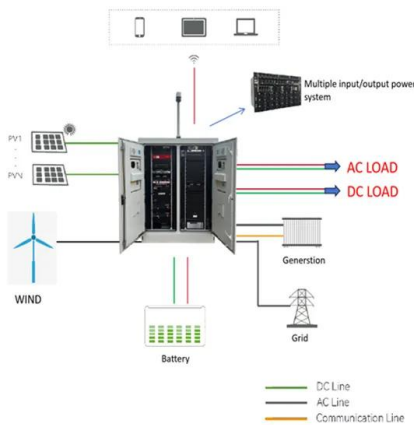
[Using Mismatched Solar Panel Sizes](#)

Now, lets say we were able to find solar panels of different wattages, but their voltages are the same, or at least REALLY similar: In the earlier example of mismatched solar ...



Connect Solar Panels To An Inverter: A Step-by-Step Guide

Table listing the different factors to consider when choosing an inverter. Step 3: Wiring Your Solar Panels in Series or Parallel After selecting an inverter, you need to wire your solar panels in series or parallel. Wiring in series increases the voltage, while wiring in



[Mixing solar panels - Dos and Don'ts](#)

There are two main types of connecting solar panels - in series or in parallel. You connect solar panels in series when you want to get a higher voltage. If you, however, need to get higher current, you should connect your panels in parallel.

How to Combine Mismatched Solar Panels for ...

How to Combine Mismatched Solar Panels for Optimal Output. Today, we're tackling a common problem for solar users, especially those with RVs or trailers with limited roof space: how to combine mismatched solar ...

LFP12V100



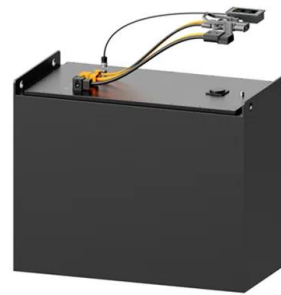
Can You Mix Solar Panels? [Can You Mix and Match Them?]

There are a few things to consider when connecting two different solar panels together. The first is compatibility. Make sure that the panels you're connecting are compatible with each other in terms of voltage, current, and wattage.



Connecting Solar Panels in Series or in Parallel?

Connecting Solar Panels in Series vs. Parallel. What Is the Difference? In most modern solar panel arrays, the physical act of wiring multiple solar panels together is as simple as plugging in a cable. But before you do so, there's one essential decision to make.

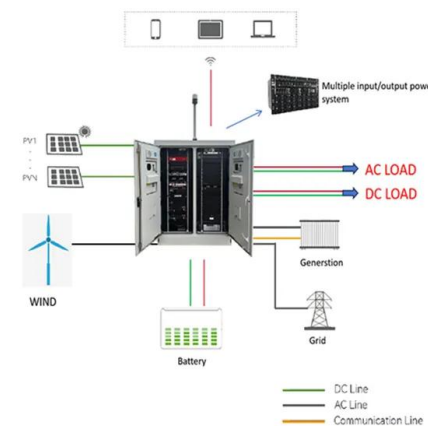


Mixing Wattages in a Single Solar Array

You can mix solar panels that have different wattages, but it is not usually advised because mixing different wattage panels reduced the efficiency and power output. If you mix highly efficient panels with less efficient ones, the overall ...

How to Connect Solar Panels in Parallel: A Step-by ...

Discover the simple steps for connecting solar panels in parallel to optimize your solar array's energy output in our comprehensive guide. Let's talk about using parallel connections in real life. Imagine hooking up three 12-volt, ...



Mixing Different Wattage Solar Panels: Beneficial or Not?

In this post, we'll look at the risks and challenges associated with integrating solar panels of various wattages, how wattage mixing affects the wiring system, and how to connect ...



Can I Mix 100 Watt and 200 Watt Solar Panels?

Diving into solar power raises many questions, especially when selecting suitable solar panels. One common query is: Can you mix and match 100-watt and 200-watt solar panels? This article addresses this question, providing a clear comparison between 100W and 200W solar panels and guidance on how to seamlessly integrate panels of different wattages, ...



Contact Us

For catalog requests, pricing, or partnerships, please visit:
<https://www.vdbconstruction.co.za>