

Container energy storage cost breakdown in Pakistan 2026





Overview

This article explores the latest developments, key case studies, and future prospects of Pakistan's energy storage market, highlighting its potential to transform the nation's energy.

This article explores the latest developments, key case studies, and future prospects of Pakistan's energy storage market, highlighting its potential to transform the nation's energy.

ported an estimated 1.25 gigawatt-hours (GWh) of BESS in 2024. This could increase to 8.75GWh, or 26% of the projected peak demand in 2030, if business as usual persists. Such a shift could lead to stranded national grid by reducing demand and raising capacity payments. Timely investments in grid.

tic Diagram of Pakistan s ve but no interest from interviewed companies e T men .

Small-scale lithium-ion residential battery systems in the German market suggest that between 2014 and 2020, battery energy storage systems (BESS) prices fell by 71%, to USD 776/kWh. With their rapid cost declines, the role of BESS for stationary and transport applications is gaining prominence.

Global lithium-ion battery prices have dropped 89% since 2010 (to \$130/kWh in 2023), making storage viable for utilities and households. By 2025, prices could fall below \$100/kWh, accelerating adoption. 4. Electric Vehicle (EV) Momentum Pakistan's National Electric Vehicle Policy targets 30% EV.

Let's break down costs like a mechanic disassembling a Tesla battery:
Installation & integration (10-15%): Ever tried plugging in a 20-ton power bank?

Pro tip: That 100 gigawatt-hours produced globally each year [1]?

Your share could cost anywhere from \$200/kWh for basic setups to \$500/kWh for.



This is why new RE commitments, i.e., CPEC with the worth of \$33.8 billion for energy-related projects (CPEC), clean coal power projects (7560 megawatts) and clean energy (2790 megawatts), Pakistan's RE Visions 2025-2035, Pakistan-China Joint Energy Working Group (JEWG) in 2011, Pakistan-Iran.



Container energy storage cost breakdown in Pakistan 2026

Battery energy storage system (BESS) container, BESS container ...



BESS (Battery Energy Storage System) is an advanced energy storage solution that utilizes rechargeable batteries to store and release electricity as needed. It plays a crucial role in ...

How Much Does Container Energy Storage Cost? A 2025 ...

With the global energy storage market hitting a jaw-dropping \$33 billion annually [1], businesses are scrambling to understand the real costs behind these steel-clad ...



Energy Storage System (ESS) Containers Market Size, Demand ...

Answer: Energy Storage System (ESS) Containers Market size was valued at USD 8.5 Billion in 2024 and is projected to reach USD 28.5 Billion by 2033, growing at a ...

Energy Storage Grand Challenge Energy Storage Market ...

This report covers the following energy storage technologies: lithium-ion batteries, lead-acid batteries, pumped-storage hydropower, compressed-air energy storage, redox flow batteries, ...



BESS Costs Analysis: Understanding the True Costs of Battery Energy

Battery Energy Storage Systems (BESS) are becoming essential in the shift towards renewable energy, providing solutions for grid stability, energy management, and ...



BNEF: Bigger cell sizes, 5MWh containers among major BESS cost

Some key takeaways from BloombergNEF's Energy Storage System Cost Survey 2024: ? Turnkey energy storage system prices fell 40% year-on-year to a global average of US\$165/kWh in ...



What is the Cost of BESS per MW? Trends and 2025 Forecast

Introduction: The Ever-Changing Cost of Battery Energy Storage Systems (BESS) Battery Energy Storage Systems (BESS) are a game-changer in renewable energy. ...





[Energy Storage Cost and Performance Database](#)

The U.S. Department of Energy's (DOE) Energy Storage Grand Challenge is a comprehensive program that seeks to accelerate the development, commercialization, and utilization of next-generation energy storage ...



Energy Storage Technology and Cost Characterization Report

This report defines and evaluates cost and performance parameters of six battery energy storage technologies (BESS) (lithium-ion batteries, lead-acid batteries, redox flow batteries, sodium ...

Transportation Challenges of BESS Containers in Europe: Thorns

12 ????. As reported by Lloyd's of London in their 2024 Energy Storage Transport Risk Report, the average annual insurance cost for BESS container transportation stands at EUR2,800 ...



[Energy Storage in the C& I Sector in Pakistan](#)

o Alternative Energy Development Board (AEDB) Issues permits/licenses to independent power producers (IPPs), examines feasibility studies for newly planned power plant, implementation ...



Shipping Container Energy Storage System Guide

The financial commitment to sustainable energy storage innovations, such as the shipping container energy storage system, requires a thorough cost analysis. Understanding the balance between initial investment ...



SUPPORT REAL-TIME ONLINE
MONITORING OF SYSTEM STATUS



[\(PDF\) Pakistan Energy Outlook Report \(2021-2030\)](#)

The Government of Pakistan (GoP) has envisioned an open, competitive private sector-led energy sector providing reliable, least-cost energy supplies to meet the anticipated ...

[Containerized energy storage Pakistan](#)

Pakistan has launched its first-ever low-carbon energy storage initiative, designed to strengthen the country's energy infrastructure. The project was introduced during a ceremony in the ...



[Shipping Containers for sale in Pakistan](#)

Shipping Containers for sale in Pakistan At Top Shipping Containers in Pakistan, we take pride in offering an extensive selection of top-quality shipping containers for sale across the region. Whether you're seeking new or used containers, we ...



[Energy storage container, BESS container](#)

SCU provides 500kwh to 2mwh energy storage container solutions. Power up your business with reliable energy solutions. Say goodbye to high energy costs and hello to smarter solutions with us.



Battery Storage and the Future of Pakistan's Electricity Gr

The convergence of rising energy prices and falling costs for Distributed Energy Resources (DER), such as rooftop solar photovoltaic (PV) systems and Battery Energy Storage Systems ...

2022 Grid Energy Storage Technology Cost and ...

This work aims to: 1) provide a detailed analysis of the all-in costs for energy storage technologies, from basic components to connecting the system to the grid; 2) update and ...



Battery energy storage system (BESS) container, ...

BESS (Battery Energy Storage System) is an advanced energy storage solution that utilizes rechargeable batteries to store and release electricity as needed. It plays a crucial role in stabilizing power grids, supporting renewable energy ...





Container Shipping Costs: 20 ft & 40 ft Freight Rates and Prices

Discover container shipping costs and delivery charges in 2024. Explore 20ft & 40ft container prices, sea freight rates, LCL & FCL shipping costs



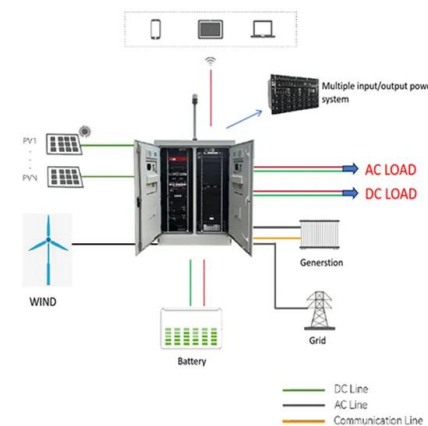
Breaking Down National Container Energy Storage System Costs...

Why Container Energy Storage Is Shaking Up the Power Game a shipping container-sized solution that could power 300 homes for 6 hours straight. That's the reality of modern container ...



Cost Projections for Utility-Scale Battery Storage: 2021 ...

To separate the total cost into energy and power components, we used the bottom-up cost model from Feldman et al. (2021) to estimate current costs for battery storage with storage durations ...



2020 Grid Energy Storage Technology Cost and ...

This report represents a first attempt at pursuing that objective by developing a systematic method of categorizing energy storage costs, engaging industry to identify these various cost ...





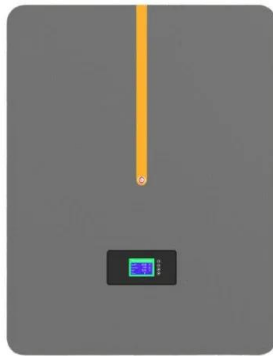
Battery Storage and the Future of Pakistan's Electricity Gr

Consumers can optimize energy management strategies, reduce operational costs, and enhance energy reliability by understanding how BESS capacities correlate with sector-specific ...



Containerized Energy Storage System: How it Works ...

A Containerized Energy-Storage System, or CESS, is an innovative energy storage solution packaged within a modular, transportable container. It serves as a rechargeable battery system capable of storing large ...



Shipping Container Costs: 20ft, 40ft, New, & Used (2024/5)

How much do shipping containers cost? The final price can vary, but in this article you can see general pricing for 40ft, 20ft, New, & Used containers.



Brazil Energy Storage System (ESS) Containers Market Size 2026 ...

Brazil Energy Storage System (ESS) Containers Market size was valued at USD XX Billion in 2024 and is projected to reach USD XX Billion by 2033, growing at a CAGR of ...





Contact Us

For catalog requests, pricing, or partnerships, please visit:
<https://www.vdbconstruction.co.za>