

# Distributed photovoltaic bracket production form





## Overview

---

What is distributed photovoltaic power generation (DPPG)?

Distributed photovoltaic power generation specifically refers to the generation of electrical energy from solar energy directly through photovoltaic modules. DPPG systems are integrated into the grid, unlike off grid systems. The generated electrical energy is transferred to the grid by making a connection from the closest point.

Is distributed photovoltaic power generation sustainable?

Distributed photovoltaic power generation (DPPG) is one of the sustainable solutions to increase renewable energy sources (RES) shares in primary energy demand. This paper investigates Turkey's current policy system with its excellences and shortcomings in different stages of distributed photovoltaic power generation development in the country.

Do distributed photovoltaic systems contribute to the power balance?

Tom Key, Electric Power Research Institute. Distributed photovoltaic (PV) systems currently make an insignificant contribution to the power balance on all but a few utility distribution systems.

Can the spread of distributed photovoltaic power generation be accelerated?

This paper conducts a SWOT analysis based on situation all these excellences and shortcomings in different stages of distributed photovoltaic power generation development in the country. The results of the SWOT analysis indicate that the spread of DPPG can be accelerated with an emergency action plan based on four urgent strategies given below:.

What are the standards for PV integration in distribution systems?

Some major standards for PV integration in distribution systems such as IEC 61727, IEEE 1547, and VDE-AR-N4105 are defined and used in to ensure that the power quality and stability defined by grid codes for PV sources connected



to the grid are maintained.

Can photovoltaic technology be used in grid-tied distribution networks?

Photovoltaic (PV) technology is rapidly developing for grid-tied applications around the globe. However, the high-level PV integration in the distribution networks is tailed with technical challenge.



## Distributed photovoltaic bracket production form

---



### A comprehensive review on design of building integrated ...

Building integrated photovoltaic system enabling technologies include crystalline silicon, thin film, organic solar cells, which can be processed from solution and offer the ...

### Solar Panel Fixing Brackets factory, Buy good price Distributed PV

China quality Solar Panel Fixing Brackets & Distributed PV System supplier and Good price Solar Panel Fixing Brackets for sale online. Jiangsu Guoqiang Singsun Energy Co., Ltd. Tracking ...



### CHIKO ground photovoltaic bracket: lightweight, strong, durable ...

2? The application of CHIKO Solar Energy in the field of photovoltaic brackets. CHIKO Solar is a world leading manufacturer of solar brackets, headquartered in Shanghai and established in ...



### Photovoltaic Bracket with Smart Tracking Control?

This makes solar energy more competitive with traditional energy sources, promoting wider adoption of renewable energy. The reduced costs also benefit consumers, ...



### Photovoltaic power plants in electrical distribution ...

The main defiance of integrating the PV energy production generation in the public electric network. Grid inertia and frequency control for solar PV integration. How electrical systems performance can be improved via ...



### Home Page

The company operates three major production bases, encompassing nearly 50,000 square meters of production area. Its main business includes various photovoltaic fixed ground mounting structure, distributed mounting structure, ...



### Assessment of the potential for distributed photovoltaic ...

T1 - Assessment of the potential for distributed photovoltaic electricity production in Israel. AU - Vardimon, Ran. PY - 2011/2. Y1 - 2011/2. N2 - A significant portion of Israel's electricity can ...





### Triangular aluminium bracket for photovoltaic system

The KTO2210 aluminium support system enables the installation of a double row of photovoltaic modules arranged horizontally with a fixed 30° tilt. The universal terminal KMTU2950 and ...



### How to promote sustainable adoption of residential distributed

The development of residential solar photovoltaic has not achieved the desired target albeit with numerous incentive policies from Chinese government. How to promote ...

### Classification And Design Of Fixed Photovoltaic Mounts

PV brackets can be divided into three types: fixed, tilt-adjustable, and auto-tracking type, and its connection method generally has two forms of welding and assembly.



### Distributed Solar PV - Renewables 2019 - Analysis

Globally, distributed solar PV capacity is forecast to increase by over 250% during the forecast period, reaching 530 GW by 2024 in the main case. Compared with the previous six-year period, expansion more than doubles, with the share of ...



### Building-Integrated Photovoltaic (BIPV) and Its Application, ...

Solar energy is currently the most abundant, inexhaustible, and clean renewable resource [].The amount of energy that the sun radiates onto the earth in a day ...



### Photovoltaic Bracket, Solar Panel Rack Design , Jintong

Unleash solar potential with our expert photovoltaic bracket and solar panel rack designs. outdoor ground installation. Commonly used concrete form, can also choose direct buried, ground anchor type fixed. Roof photovoltaic system ...

### Photovoltaic bracket

According to different customer needs, it provides customers with photovoltaic bracket products of different materials and different performance parameters. Provide you with convenient power ...



### A distributed photovoltaic short-term power forecasting model ...

This paper proposes a short-term distributed photovoltaic power forecasting model based on lightweight convolutional neural networks. proposed a probabilistic spatio ...

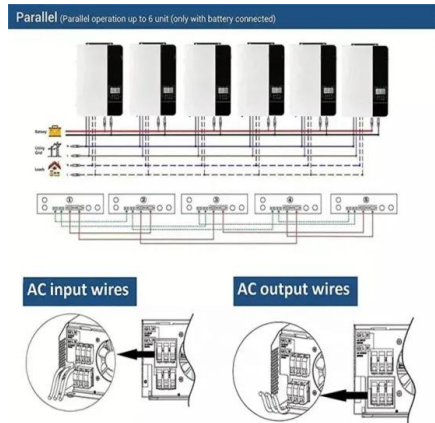


- LIQUID/AIR COOLING
- ON GRID/HYBRID
- PROTECTION IP54/IP55
- BATTERY /6000 CYCLES



**Jiangsu Guoqiang Singsun Energy Co., Ltd.  
factory production line**

Guoqiang singsun takes product innovation and technology leadership as its development orientation, deeply focuses on the development trend of PV sun tracking system, continuously ...



**Necessary accessories for PV installation:  
brackets**

Photovoltaic bracket can be classified in the form of connection mode, installation structure and installation location. There are also great prospects for the ...

**Optimal planning of distributed  
photovoltaic generation for the**

A similar bi-level frame is adopted for the sizing of the hybrid energy storage system (HESS) with the state machine-based power flow control strategy and rain flow ...



**Brackets for solar panels: supports for  
fixing the photovoltaic ...**

BRACKETS FOR SECURING PHOTOVOLTAIC PANELS, WITHOUT DRILLING. Sun-Age specializes in mounting solar panels on roof without drilling, as we were the first company in ...



## Analysis and evaluation of distributed photovoltaic generation in

Turkey is a developing country with rising energy demands. Energy access is one of the key parameters to sustain the development, since the country meets a considerable part ...

12.8V6Ah

---

Nominal voltage (V):12.8  
 Nominal capacity (Ah):6  
 Rated energy (Wh):76.8  
 Maximum charging voltage (V):14.6  
 Maximum charging current (A):6  
 Floating charge voltage (V):13.6-13.8  
 Maximum continuous discharge current (A):10  
 Maximum peak discharge current @10 seconds (A):20  
 Maximum load power (W):100  
 Discharge cut-off voltage (V):10.8  
 Charging temperature (°C):0-+50  
 Discharge temperature (°C): -20-+60  
 Working humidity: <95% R.H (non condensing)  
 Number of cycles (25 °C, 0.5c, 100%doD): >2000  
 Cell combination mode: 32700-4s1p  
 Terminal specification: T2 (6.3mm)  
 Protection grade: IP65  
 Overall dimension (mm):90\*70\*107mm  
 Reference weight (kg):0.7  
 Certification: un38.3/mds



### [How to choose a solar photovoltaic bracket](#)

The company has a full range of product design, manufacturing and supply capabilities, including a series of high-tech support products such as solar ground brackets, ...

## Distributed photovoltaic generation in the electricity market: status

Reasonable market participation form, market mechanism and bidding strategies are vital to the development of distributed PV in the electricity market. This paper comprehensively reviews ...



**Low Voltage Lithium Battery**

**6000+** Cycle Life

## Brackets for Fixing Photovoltaic and Solar Panels on Tiles.

After years of study and after having gained specialized experience in the field with over 5,000 customers for whom we have produced more than 100,000 brackets, our technicians have ...



### Three types distributed rooftop pv power station installing forms

Before understanding the installation forms of distributed rooftop pv power stations, we need to know what distributed rooftop pv power stations are. Distributed rooftop ...



### Photovoltaic Panel Manufacturer, Solar Mounting System, Solar Bracket ...

Its main business includes various photovoltaic fixed ground mounting structure, aluminum mounting structure, tracking system, carport, BIPV structure, flexible mounting bracket and ...

### Large-Scale Ground Photovoltaic Bracket Selection Guide

In the context of today's energy transition, solar energy as a clean and renewable form of energy utilisation is receiving widespread attention and rapid development worldwide. One of the core ...



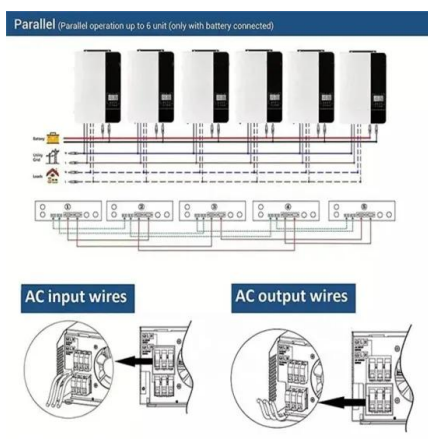
### A methodology for an optimal design of ground-mounted ...

This paper presents a methodology for estimating the optimal distribution of photovoltaic modules with a fixed tilt angle in a photovoltaic plant using a packing algorithm (in ...



## Distributed Photovoltaic Systems Design and Technology ...

This report focused on three configurations of high-penetration PV in the low-voltage distribution network (all PV on one feeder, PV distributed among all feeders on a medium-voltage/low ...



## Distributed Photovoltaic Power Generation Prediction Based on ...

where  $z$  is the input time feature (such as month, week, day, or hour);  $(z_{\max})$  is the maximum value of the corresponding time feature, with the maximum values ...

## Design and Application of A Novel Distributed Photovoltaic Grid

This paper introduces the structure principle, main functions and characteristics, and component selection and circuit design of novel distributed photovoltaic grid-connected box, and analyzed ...



## [Photovoltaic Bracket Market Analysis](#)

Downstream activities are focused on the distribution and installation of PV brackets in solar projects. This includes the sales and logistics operations that ensure the ...



## Quality PV Panel Mounting Brackets, Adjustable Solar Panel Bracket

China leading provider of PV Panel Mounting Brackets and Adjustable Solar Panel Bracket, Jiangsu Guoqiang Singsun Energy Co., Ltd. is Adjustable Solar Panel Bracket factory. Jiangsu ...



## Distributed PV

Distributed PV What is it? Distributed Photovoltaics (DPV) convert the sun's rays to electricity, and includes all grid-connected solar that is not centrally controlled. DPV is a type of Distributed ...

## Contact Us

---

For catalog requests, pricing, or partnerships, please visit:  
<https://www.vdbconstruction.co.za>