

Funding for renewable energy projects





Funding for renewable energy projects



Incentives and strategies for financing the renewable energy ...

RE projects are typically financed through project financing, and investors generally consider two aspects before funding a project: investment returns and investment risks (Polzin et al., 2019). Several risks can be eliminated by selecting the right strategy, such as accurate project feasibility and the use of mature technology.

[Australian Renewable Energy Agency \(ARENA\)](#)

Seek Funding We fund projects that can help accelerate renewable energy in Australia. Explore Projects Our projects span from early stage research in the lab, to demonstration projects in the field. ARENA acknowledges the traditional ...



Approved projects

List of approved projects GCF's investments are aimed at achieving maximum impact in the developing world, supporting paradigm shifts in both mitigation and adaptation. The Fund aims for a 50:50 balance between mitigation and adaptation investments over time. It also aims for a floor of 50 percent of the adaptation allocation for particularly vulnerable countries, including Least ...

Funding and Incentives Resource Hub , Better Buildings Initiative

Looking to implement energy efficiency upgrades, renewable energy and decarbonization



projects, or other sustainability initiatives? The Funding and Incentives Resource Hub can help you navigate and discover the many rebates, funding opportunities, and other incentives including those available through the Inflation Reduction Act and Bipartisan Infrastructure Law.



[6 Ways to Fund Renewable Energy Projects](#)

One of the simplest ways to fund renewable energy projects is to apply for grants and subsidies from governments, foundations, or other organizations that support green initiatives.



EERE Funding Opportunities , Department of Energy

The Office of Energy Efficiency and Renewable Energy (EERE) invests in research and development to lower the cost of clean energy technologies, protect the private sector from financial risk, and ensure an equitable transition to a ...



Clean Energy Infrastructure Funding for Projects and Programs

The U.S. Department of Energy (DOE), through the Office of the Under Secretary for Infrastructure, is focused on working across the public and private sectors to help the U.S. transition to the clean energy economy. With more than \$97 billion in investments through





Renewable Energy Funding in 2023: A "Capital ...

Many governments around the world have been making progress mobilizing public and private capital to accelerate the energy transition, with significant money inflows into projects in recent years. These inflows are ...



Global landscape of renewable energy finance 2023

Global investment in energy transition technologies, including energy efficiency, reached a record high of USD 1.3 trillion in 2022. However, annual investments need to at least quadruple to remain on track to achieve the 1.5 C Scenario in IRENA's World Energy Transitions Outlook 2023..

Sustainable Energy Fund for Africa

The Sustainable Energy Fund for Africa (SEFA) is a multi-donor Special Fund managed by the African Development Bank. It provides catalytic finance to unlock private sector investments in renewable energy and energy ...



Energy financing and funding - World Energy Investment 2020

Most institutional investment for energy projects has gone towards acquiring and refinancing assets with perceived reliable cash flows, particularly renewables and energy infrastructure



Biden-Harris Administration Launches \$7 Billion Solar for

WASHINGTON (June 28, 2023) - Today, the U.S. Environmental Protection Agency (EPA) launched a \$7 billion grant competition through President Biden's Investing in America agenda to increase access to affordable, resilient, and clean solar energy for ...



Green Climate Fund Approves \$171m for Renewable Energy Projects ...

The Green Climate Fund (GCF) on Wednesday announced that it has approved \$170.9 million (N70.69 billion) in co-financing for the African Development Bank's Leveraging Energy Access Finance Framework...

Energy generation and access

Thematic brief: Renewable energy 09 Apr 2021
The energy sector is one of the largest contributors to greenhouse gas emissions given the world's reliance on fossil fuels. At the same time, hundreds of millions of people still lack access to electricity, and a third of



**2MW / 5MWh
Customizable**

Incentives and strategies for financing the renewable energy ...

RE projects are typically financed through project financing, and investors generally consider two aspects before funding a project: investment returns and investment ...



LFP 12V 200Ah



Rural Energy For America Program (REAP)

USDA is announcing \$145 million in funding for 700 loan and grant awards through the Rural Energy for America Program (REAP) to help agricultural producers and rural small business owners make energy efficiency improvements and renewable energy investments to lower energy costs, generate new income, and strengthen the resiliency of their operations.



Australian Budget commits A\$25bn to clean energy and renewables projects

The Australian Government has released its Budget October 2022-23. It commits record funding of almost A\$25 billion to clean energy spending, providing greater direction and backing the Government's net zero commitment by 2050. It ...

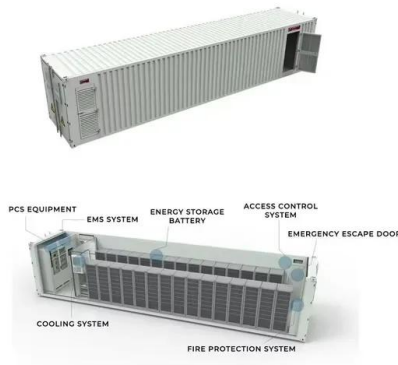
How Do I Apply for EERE Funding? , Department of Energy

The funding application process used by DOE's Office of Energy Efficiency and Renewable Energy (EERE) involves multiple steps, which can take several months from start to finish. Hundreds of successful EERE projects have already helped increase the use and effectiveness of affordable renewable energy and energy efficiency technologies across the United States.



[Advancing Renewables Program , business.gov](#)

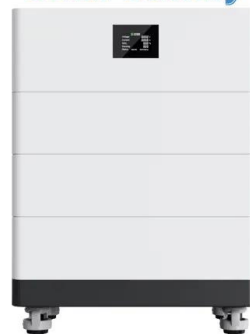
This program aims to fund projects that contribute to one or more of the following outcomes: optimise the transition to renewable electricity commercialise clean hydrogen support the transition to low emissions metals. Check if you can apply To be eligible, you



Funding

Home > Funding Opportunities Funding From research to large-scale deployment, our funding spans the entire innovation chain. We accelerate the affordability of new technologies and build investor confidence in renewable energy projects now and into the future.

High Voltage Solar Battery



TAX FREE

Product Model
HJ-ESS-215A(100KW/215KWh)
HJ-ESS-115A(50KW 115KWh)

Dimensions
1600*1280*2200mm
1600*1200*2000mm

Rated Battery Capacity
215KWH/115KWH

Battery Cooling Method
Air Cooled/Liquid Cooled



Government secures record pipeline of clean cheap energy projects

Sixth renewables auction delivers record smashing 131 clean energy projects powering equivalent of 11 million homes. Millions of homes and businesses across Britain will be powered by a new supply

Renewable energy explained Incentives

Government financial incentives Several federal government tax credits, grants, and loan programs are available for qualifying renewable energy technologies and projects. The federal tax incentives, or credits, for qualifying renewable energy ...





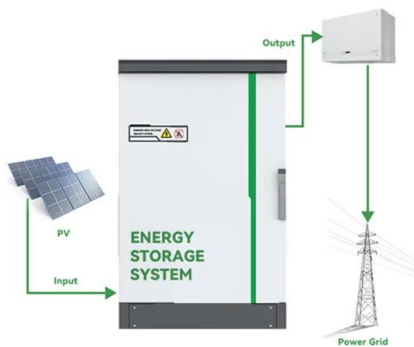
Africa Renewable Energy Fund

The Africa Renewable Energy Fund (AREF) invests into small hydro, wind, geothermal, solar, stranded gas and biomass projects across Sub-Saharan Africa (excluding South Africa). At target size, the Fund plans to make between 8 and 12 investments in renewable energy projects, targeting controlling positions in medium size projects in all development stages, with an ...



ETAF

IRENA-ADFD partnership built on common objectives and on groundwork with local developers and focal points in member countries In 2013, the International Renewable Energy Agency (IRENA) and the Abu Dhabi Fund for Development (ADFD) initiated a partnership to deploy resources to finance renewable energy (RE) projects in developing countries.



Global landscape of renewable energy finance 2023

Global investment in energy transition technologies, including energy efficiency, reached a record high of USD 1.3 trillion in 2022. However, annual investments need to at least quadruple to remain on track to achieve the 1.5 C Scenario in ...

FINANCING FOR RENEWABLE ENERGY

Caribbean Renewable Energy Technical Assistance Facility (CRETAF) collaborates with the Caribbean Renewable Energy Fund, which is a GEF-sponsored loan facility. CRETAF, which will supply early-stage loans for preparing project proposals, is designed to



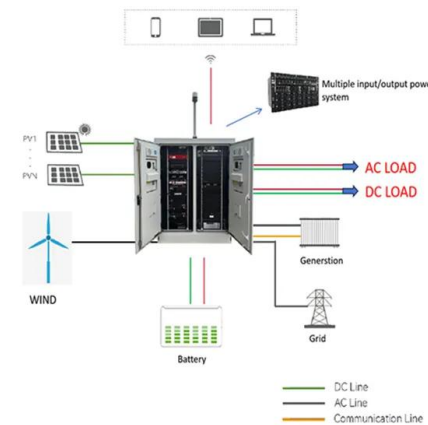


Funding & Financing

The U.S. Department of Energy supports a number of grant, loan and financing programs. Learn more about these programs and how they can help you -- whether you are a startup energy business looking to launch a pilot project, a company with proven technology

Current and Future Costs of Renewable Energy Project Finance ...

NOTICE This work was authored in part by the National Renewable Energy Laboratory, operated by Alliance for Sustainable Energy, LLC, for the U.S. Department of Energy (DOE) under Contract No. DE-AC36-08GO28308. Funding provided by U.S. Department of



Biggest ever renewable energy support scheme opens

Renewable energy projects across Great Britain can now bid for funding in the fourth round of the Contracts for Difference (CfD) scheme, which is aiming to secure 12GW of electricity capacity

Financing for renewable energy projects: A decision guide by

The financing structures for renewable energy projects depend on natural resources availability, technical maturity (hence the stage of development), and financial ...





Project Bonds and Energy Transition: A proven financing

The use of project bonds as a source of funding for renewable energy projects is the perfect candidate for the ICMA GBP "green" label, as there is limited scope to challenge a renewable energy project's environmental impact. In addition, once bond proceeds are



Foundations announce \$1 billion fund for renewables in

A billion dollar fund for renewable energy The IKEA Foundation and The Rockefeller Foundation announced they will join forces to set up a \$1 billion catalytic fund, committing \$500 million each to



Contact Us

For catalog requests, pricing, or partnerships, please visit:
<https://www.vdbconstruction.co.za>