

# **Glass solar power generation device**





## Overview

---

What is solar glass technology?

Solar glass technology means the world's windows could be used to generate electricity from the sun. Image: ScienceDirect What are transparent solar panels?

Transparent solar panels look like clear glass and let light through like regular windows.

How do solar windows work?

But they're made with a type of solar glass that absorbs ultraviolet and infrared light – types of light that aren't visible to the naked eye – and turn these into renewable electricity. Researchers at Michigan State University developed the first fully transparent solar panel in 2014. What could solar windows mean for the world?

.

What is solar glass & how does it work?

These provide 200 megawatts of electricity a year – more than half the energy the building consumes. A key advantage of solar glass – also known as photovoltaic glass – is that it takes up less space than traditional solar panels.

What is a building-integrated photovoltaic smart window?

Photovoltaic smart window is an efficient way to improve efficiency of the window. In this work, we proposed a building-integrated photovoltaic (BIPV) smart window with energy modulation, energy generation, and low emissivity function by combining perovskite solar cell and hydrogel.

What is a transparent solar window system?

Highly transparent, all-inorganic photovoltaic solar window systems have been



developed, which employ photonic microstructures represented by spectrally-selective transparent diffractive elements placed into direct vicinity of planar luminescent media embedded into glass structure.

How do transparent solar panels work?

Transparent solar panels look like clear glass and let light through like regular windows. But they're made with a type of solar glass that absorbs ultraviolet and infrared light - types of light that aren't visible to the naked eye - and turn these into renewable electricity.



## Glass solar power generation device

---



### Solar Power Film: Turning Windows Into Solar Panels

By using photovoltaic technology (PV) in a glass application you could effectively turn the glass surfaces of a building into solar panels which can be used to power the building. Imagine the ...

### Solar explained Photovoltaics and electricity

Photovoltaic cells convert sunlight into electricity. A photovoltaic (PV) cell, commonly called a solar cell, is a nonmechanical device that converts sunlight directly into ...



### Transparent Solar Panels: The Future of Clean Energy?

These innovative photovoltaic (PV) panels are designed to be suitable for use in clear windows and even touch screens on devices, offering a unique approach to solar ...

### This technology turns windows into solar panels, here's how

Transparent solar panels look like clear glass and let light through like regular windows. But they're made with a type of solar glass that absorbs ultraviolet and infrared light ...



### Solar Glass Could Convert The Windows Of Every ...

By depositing organic layers directly on glass using standard glass coating equipment, Ubiquitous Energy claims that the transparent solar coating selectively absorbs and converts ultraviolet

### Solar windows: What are they and how do they work?

Solar glass works very much like solar panels but has the added advantage of allowing light to pass through it into the space beyond. It consists of solar pv (photovoltaic) glazing which, like the silicon wafers on ...



### Agrivoltaics: How solar panels are changing agriculture

Saudi Arabian researchers have developed a solar-powered device employing a novel hydrogel to cultivate spinach with air-collected water. Researchers employed the byproduct heat from ...



## Solar power

Solar power, also known as solar electricity, is the conversion of energy from sunlight into electricity, either directly using photovoltaics (PV) or indirectly using concentrated solar power. Solar panels use the photovoltaic effect to convert ...

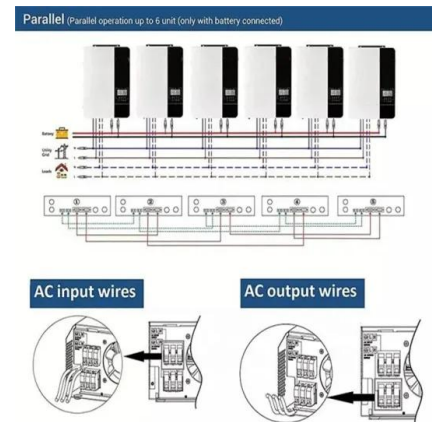


### This Orb-Shaped Solar Power Device Works On The ...

This Orb-Shaped Solar Power Device Works On The Cloudiest Days. The use of a clear "ball lens" to concentrate light into a beam of energy may improve solar power efficiency by up to 50 percent

### Cylindrical glass cover solar panel device

The utility model discloses a cylindrical glass cover solar power generation panel device which comprises a cylindrical glass cover, a flexible solar power generation ...



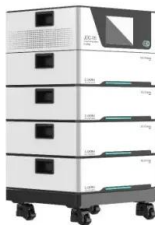
### Solar Power Glass , Solar Glass , Solar PV Panels

We are a company offering transparent and opaque solar glass panels for building facades, canopies, skylight and roof top application. The device structure and layer thickness of ...



### IFTL and inQs Harvest Power From Colorless, Virtually ...

SQPV glass body (excluding frame): Width: 280mm Length 280mm Glass thickness: 2mm Visible light transmission: 75% Electric current generation: ~70 milliampere (mA) Solar heat gain is 0.69



### (PDF) Performance of a Solar Thermoelectric Power ...

For the purpose of collecting solar radiation for energy conversion and utilization and improving the output performance of thermoelectric power-generation components, a new solar thermoelectric

### Concentrated solar power (csp): What you need to know

Also known as the Noor Power Station, the Ouarzazate Solar Power Station is the biggest operating solar power plant in the world, with an installed capacity of 510 megawatts. Spanning across the equivalent of 3,500 ...



### The design of solar temperature difference power generation device

The design of solar temperature difference power generation device Peng Cheng . North China Electric Power University, Baoding 071000, China . the spread of the light in the glass ...



### Solar Glass Panels: A Window to Sustainable Energy

In this blog, we will delve into the world of solar glass panels and explore how they are illuminating the future of power generation. The Rise of Solar Glass Panels. Solar glass panels, often ...



### Look into the Future with This 'Crystal Ball' Spherical Sun Power ...

The Spherical Sun Power Generator is a solar energy capture device designed by German Architect Andre Broessel. Called the beta.ey, he believes his invention is a ...



### Hybrid solar energy device for simultaneous electric power generation

For the hybrid device demonstration, a commercial polycrystalline Si-based PV cell was used. In order to evaluate how heat affects the performance of the PV cell (e.g., ...



### This technology turns windows into solar panels, here's how

Solar glass that turns windows into transparent solar panels could turn skyscrapers into solar farms, experts say. See-through solar panels that look like glass ...



### **(PDF) Transparent Power-Generating Windows Based ...**

A new type of transparent power-generating window that combines solar-thermal-electric conversion with materials' wavelength-selective absorption is developed. It decouples the energy



### **What Is Photovoltaic Smart Glass? , Smartglass World**

Photovoltaic glass is also referred to as solar windows, transparent solar panels, transparent photovoltaic glass, solar glass and photovoltaic windows. Device-Integrated Photovoltaics ...

### [Solar Panels Beware: Solar Glass is Here.](#)

The adaptability of solar glass also holds promise in the realm of portable electronics, where solar glass can be employed in device screens to provide a self-charging ...



### **Solar Glass Panels: A Window to Sustainable Energy**

Solar glass panels, often referred to as solar windows or transparent solar panels, represent a groundbreaking advancement in renewable energy technology. Unlike traditional solar panels that are bulky and mounted on rooftops, solar ...





## Shining Laser Light on Glass Creates a Solar Cell

Solar cells and glass are often both made from silicon. However, glass made, in part, from the element tellurium (two down and two over from silicon on the periodic table) has ...



## Transparent Power-Generating Windows Based on Solar-Thermal ...

power-generating window architecture and working process. b) Working principle of transparent power generation windows based on wavelength-selective STE in this work. c) Proof-of ...

### [What are Solar Glass Windows? , Solar Guide](#)

Solar windows is the term often given to see through solar panels which resemble glass panes. The panes include the solar PV technology needed to generate electricity from the sun. In ...



## Contact Us

---

For catalog requests, pricing, or partnerships, please visit:  
<https://www.vdbconstruction.co.za>