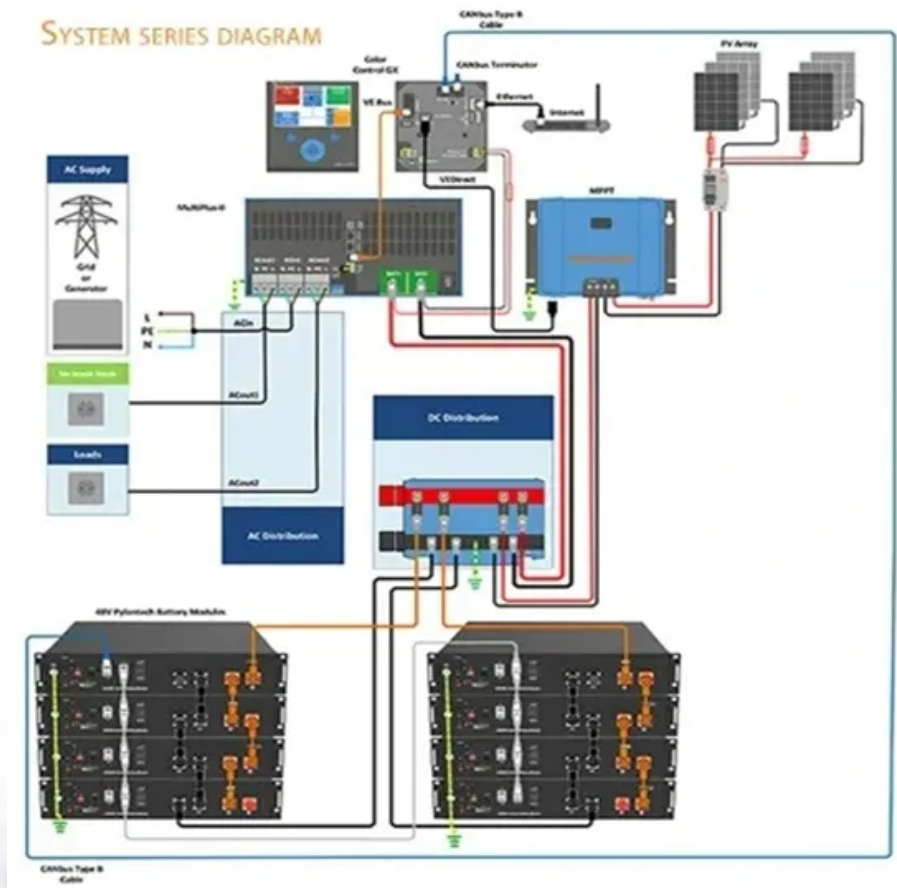


How much power does an adjustable photovoltaic bracket have





How much power does an adjustable photovoltaic bracket have



[Photovoltaic tracking bracket](#)

The tracking photovoltaic bracket can adjust the angle of the photovoltaic module in real time according to the position of the sun, so that it is always facing the solar radiation, thereby ...

Shield Balcony Solar System 800W Adjustable Bracket

Home Shield Balcony Solar System 800W Adjustable Bracket; with a single module size of only 766 mm and can therefore be adapted to the needs of balconies of different sizes for solar ...



Top 10 PV flexible bracket manufacturers in the Europe

The first of these is renewable energy, direct from the source: our beautiful sun - an estimated worldwide 100s-of-1,000s use solar panel installations for their power. It might ...

[Rooftop Solar Panels New Jersey](#)

An adjustable tilt solar panel mounting brackets are a device that allows you to mount an adjustable angle on your solar panels so they can be tilted for maximum sunlight. This is an important ...



Photovoltaic bracket: an important force to support the ...

The tracking bracket can adjust the Angle in real time according to the position of the sun, improving power generation efficiency, but the cost is relatively high. The ...



Classification of photovoltaic brackets

(3) Water surface type bracket. With the continuous promotion of distributed photovoltaic power generation projects, making full use of the sea, lakes, rivers and other ...



Cement Balcony Solar System 800W with Adjustable Bracket

Home Cement Balcony Solar System 800W with Adjustable Bracket; Cement Balcony Solar System 800W with Adjustable Bracket. Sale price EUR729,00 Regular price EUR829,00 with a ...





Materials, requirements and characteristics of solar photovoltaic brackets

Solar photovoltaic bracket is a special bracket designed for placing, installing and fixing solar panels in solar photovoltaic power generation systems. The general materials are aluminum ...



Structural Design and Simulation Analysis of New Photovoltaic Bracket

Abstract With the improvement of national living standard, electricity consumption has become an important part of national economic development. Under the influence of "carbon neutral" ...

Maximize Solar Power Through Adjustable Solar Panel Mounts

The use of adjustable solar panel mounts can lead to substantial improvements in solar power generation. Understanding Solar Panel Orientation and Tilt Importance of ...



LFP 12V 100Ah



What are the Unit of a photovoltaic power plant?

Its role is to convert solar energy into electricity and send it to the battery to be stored or to push the load to work. Module type: 1.monocrystalline silicon: photoelectric ...



Structural design and simulation analysis of fixed adjustable

Shi J, Li AN. Research on the application of stenting seasonally adjustable photovoltaic power generation system. Hydropower Energy Science. 2010(12): 157-8. Google ...



NuaSol -NuaFix Adjustable Bracket 15-30° Photovoltaic Solar

NuaFix - Adjustable solar panel brackets for PV systems 15-30°. NuaFix offers you different mounting materials for attaching your mini PV system or balcony power plant. From hanger ...



Fitting a Solar Panel to your Campervan

Two words - Solar power. Fitting a solar panel to your campervan will give you power wherever you go and best of all, that power is FREE! A solar panel can also be used to keep your ...



The Ultimate Guide to Solar Panel Roof Mounts: Installation and

Environmentally Friendly: Solar power is a clean and renewable energy source. By harnessing the sun's energy, solar panels produce electricity without emitting ...





Railing Balcony Bracket for Solar Panel with Angle Adjustable

Sunshare's modules are customised with a single module size of only 766 mm and can therefore be adapted to the needs of balconies of different sizes for solar power systems. For small ...



Triangle Tilt Leg Adjustable PV Bracket Support Customization

This Adjustable Solar Brackets can helps to optimize performance by tilt-positioning the solar panels while stationary, using AL6005 material,easily adjustable and feature stainless steel ...

[Photovoltaic fixed bracket](#)

The photovoltaic fixed bracket is an important part of the solar photovoltaic power generation system. It is mainly used to firmly support photovoltaic components (such as solar panels) and ...



Reviewed: Renogy Adjustable Solar Panel Mount Brackets

This versatility makes them a perfect choice for both nomadic adventurers and homeowners looking to capitalize on solar energy. 3. Compatibility: These brackets are ...



Warmfay Solar Bracket Tile Roof Set for 1 Module, Upgrade 300 ...

Free delivery and returns on all eligible orders. Shop Warmfay Solar Bracket Tile Roof Set for 1 Module, Upgrade 300 mm Aluminium Profile and Photovoltaic Roof Hook, Solar ...



Your Guide To Solar Photovoltaic Support System In 2021

Material of solar photovoltaic bracket. beautiful and durable, but its self-bearing capacity is low, so it can not be applied to the solar power station project. Steel ...



Photovoltaic Bracket Manufacturers, Suppliers

1. A photovoltaic bracket is a bracket, such as a solar photovoltaic bracket, which is a special bracket designed for placing, installing and fixing solar panels in a solar photovoltaic power ...



51.2V 150AH, 7.68KWH



How much do Solar Panel Systems Cost? UK Prices 2024

Case Study: solar panel installation for an average UK home o House type: Semi-detached o Solar panels: polycrystalline 4kW o Number of panels: 10-14 o Solar panel ...



Photovoltaic fixed and adjustable bracket

In short, the photovoltaic fixed and adjustable bracket is an efficient, reliable and flexible photovoltaic support structure, which is of great significance for improving the power ...



Solar Panel Brackets: The Ultimate Guide, types and ...

The brackets are adjustable to ensure that the panels are correctly oriented to receive maximum sunlight throughout the day. The brackets are anchored to the structure using screws, bolts, or other fasteners.

Necessary accessories for PV installation: brackets

At present, there are 3 types of brackets used in most PV power plants: fixed conventional bracket, adjustable tracking bracket and flexible PV bracket. Fixed photovoltaic ...



Contact Us

For catalog requests, pricing, or partnerships, please visit:
<https://www.vdbconstruction.co.za>