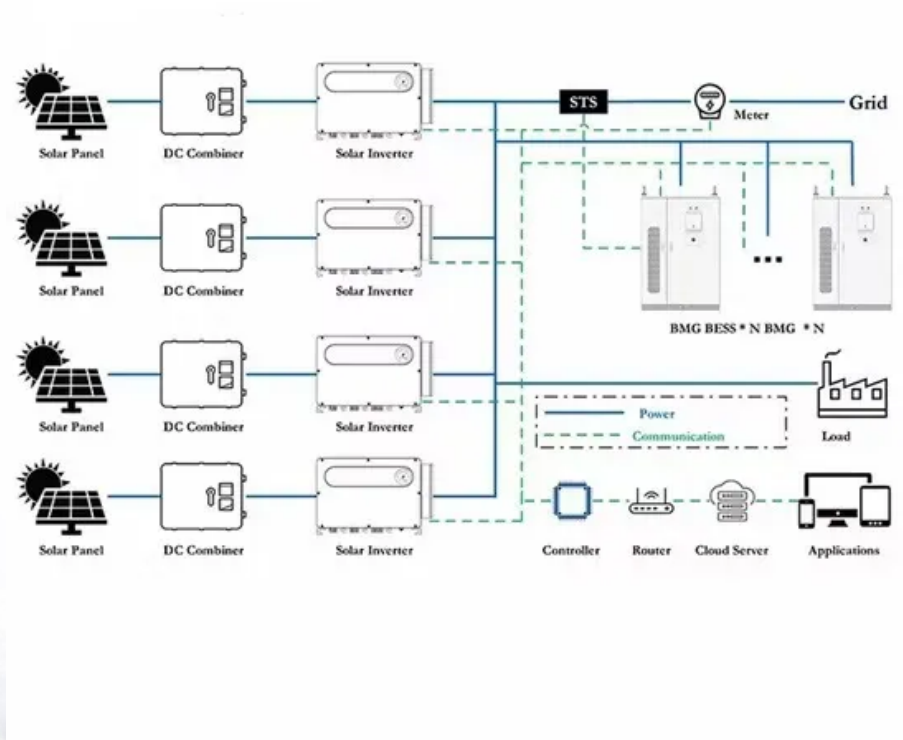


Hybrid solar storage project financing options in Belgium 2030





Overview

Impact investment funds are directing capital towards storage projects with demonstrable environmental and social benefits, while green bonds are providing a dedicated financing channel for sustainable energy infrastructure. Is ESG financing a battery energy storage system in Belgium?

Energy Solutions Group (ESG) announced today that it has completed project financing for a 75-MW/300-MWh battery energy storage system (BESS) under construction in Belgium. The Megapack battery system. Source: Tesla Inc The financing was arranged by KBC Bank and Wallonie Entrepreneurs.

What are the different energy storage technologies comprising hydrogen and batteries?

This paper introduces a Techno-Economic Assessment (TEA) on present and future scenarios of different energy storage technologies comprising hydrogen and batteries: Battery Energy Storage System (BESS), Hydrogen Energy Storage System (H₂ ESS), and Hybrid Energy Storage System (HESS).

Why is hybridisation important in energy systems design?

The hybridisation of different energy storage options is a popular topic when discussing storage possibilities in energy systems design due to the synergy of combining various technologies with complementary characteristics, namely operational dynamics, energy density, degradation, performance under extreme meteorological conditions, etc.

Is hydrogen storage more cost-competitive than BESS?

The study was performed to define cost-competitive scenarios and indicators that encourage the integration of HESS over BESS. In Fig. 5, results showed how limiting the electric grid power capacity triggered the integration of BESS, followed by the gradual increase of large-scale hydrogen storage - as HESS became more cost-competitive than BESS.

What is a hybrid optimisation model for electric renewables?



The software HOMER (Hybrid Optimisation Model for Electric Renewable) has been selected to design, model and optimise the defined case study. The results showed that BESS was the most competitive when the electric grid was available among the three possible storage options.

Will photovoltaic technology cost a 40% price reduction in 2030?

Following the learning rates shown by photovoltaic technology pricing reduction, a 40% price reduction on hydrogen technology was estimated for 2030, with a value of up to 85% in the longer term: (ii) - 40% based on IRENA's forecast for 2030, (i & iii) arbitrary percentual values around that value.



Hybrid solar storage project financing options in Belgium 2030

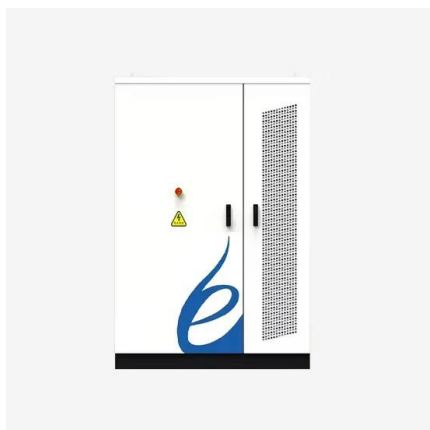


Analysis Of Financing Options For A 270MWh BESS Project In Belgium

This article analyzes various financing options available for such a large-scale BESS project in the Belgian market, focusing on BESS financing in Belgium and related ...

Qair Secures Financing for Hybrid Solar + Storage Project in ...

Paris, August 7, 2025 - Independent renewable energy company Qair announces the closing of a new loan to support the implementation of a hybrid solar photovoltaic and battery energy ...



[Hybrid Energy Storage System \(HESS\) Market](#)

For instance, under China's 14th Five-Year Plan, grid operators are mandated to deploy 30 GW of energy storage by 2025, with HESS projects like the Zhangbei National Wind ...

Qair secures financing for hybrid solar + storage project in ...

Qair has announced the closing of a new loan to support the implementation of a hybrid solar photovoltaic and battery energy storage system project in Mauritius.



Navigating The Belgian Merchant Market: Financing Options For ...

Financing Options for a 270MWh BESS Project in the Belgian Merchant Market - Belgium's energy transition is accelerating, with a strong push towards renewable energy ...



DNV supports record financing for Chile's solar-storage hybrid project

DNV, an independent energy expert and assurance provider, has played a key role in providing comprehensive advisory services to Atlas Renewable Energy to secure ...



Recent Storage M& A Transactions and Investment News

The new LC Facility will allow Redeux to finance development expenses related to interconnection and PPA obligations for its utility-scale project pipeline, currently totaling 7 GW of solar ...





How Hybrid Solar PV Systems Are Revolutionizing ...

Hybrid solar PV systems represent a transformative advancement in renewable energy technology, combining traditional solar panels with energy storage solutions to revolutionize how we harness and utilize solar ...



Qair secures financing for 60 MW hybrid solar-plus-storage ...

Renewable energy developer Qair has secured financing from SBM Bank (Mauritius) Ltd for its Stor'Sun I and II hybrid solar-plus-storage projects. These two projects ...



Qair Secures Financing for Hybrid Solar + Storage Project in ...

Independent renewable energy company Qair announces the closing of a new loan to support the implementation of a hybrid solar photovoltaic and battery energy storage system (BESS) ...



The Bahamas Launches Family Islands Solarization ...

Development of the four solar-fueled power systems will set the stage to scale the Family Islands solar program across the island chain's outlying islands, as well as contribute to the Bahamas achieving a national goal of renewable energy ...





DNV supports Zelestra in securing \$282 million green financing ...

DNV has enabled Zelestra to secure a \$282 million green financing package for Chile's Aurora project--a landmark 220 MWdc solar PV and 1 GWh battery storage hybrid ...



Hybrid Solar-Wind and Energy Storage Market Size (\$3.56 Billion) 2030

The hybrid solar-wind and energy storage market in 2023 was USD 1.75 billion and will be worth USD 3.56 billion by 2030, expanding at a CAGR of 9.3% during the forecast period.

Chile: DNV expertise supports record USD 510 million financing ...

DNV has played a key role in providing comprehensive advisory services to Atlas Renewable Energy to secure USD 510 million in financing for the landmark Estepa hybrid ...



Financing 270MWh Battery Energy Storage Systems (BESS) In Belgium...

Understanding the Belgian Merchant Energy Market and its Impact on BESS Financing - The European Union aims for a significant increase in renewable energy sources. ...



Giga Storage to start building 2,400MWh BESS in ...

GIGA Storage aims to achieve the realisation of 3GW of battery storage in Belgium by 2030." The project is among the largest being developed in Europe that Energy-Storage.news is aware of and would go a long way to ...



Energy Storage Updater: February 2021 , Belgium , Global law ...

This project will be the largest battery storage system in Latin America to date and Chile's first solar plus storage project. The batteries will be paired with 253 MW of solar energy generation.

Scaling Up Energy Storage to Accelerate Renewables ...

Leveraging technology for facilitating knowledge exchange: the program developed the Energy Storage Sizing App that countries can use to obtain a preliminary assessment of the energy storage sizing requirements ...



DNV supports Zelestra in securing \$282 million green financing ...

DNV, the independent energy expert and assurance provider, has enabled Zelestra to secure a \$282 million green financing package for Chile's Aurora project--a ...



ESG closes financing for 75-MW battery system in Belgium

Energy Solutions Group (ESG) announced today that it has completed project financing for a 75-MW/300-MWh battery energy storage system (BESS) under construction in ...

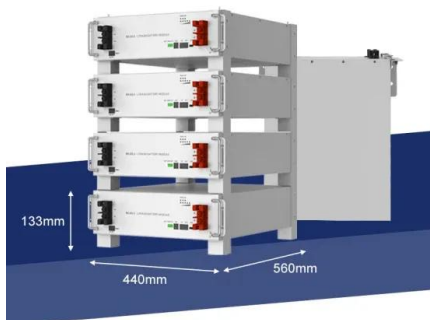


Qair Secures Major Financing for Mauritius Hybrid Solar-Storage

In 2023, the company secured four hybrid solar-plus-battery projects totaling 60 MWac, representing one of Mauritius' most ambitious energy infrastructure packages in recent ...

pv magazine Focus: As storage scales, co-located ...

The integration of battery storage with solar was a central theme at pv magazine 's Focus 2025 event, where speakers tackled the technical and financial considerations of co-located systems.



[Oslo halo solar energy storage project](#)

Financing: Financing options for solar energy projects in Pakistan are limited, making it difficult for households and businesses to access affordable loans or financing options to install solar panels.



Mauritius hybrid solar + storage project: a model for small island

Mauritius is plugging into the future with a hybrid solar + storage project that can deliver clean energy day and night. This hybrid will move Mauritius closer to its 60% clean energy target by



DNV supports record \$510M financing for Chile's solar-storage hybrid

Independent energy expert and assurance provider DNV has been playing a key role in providing advisory services to Atlas Renewable Energy to secure \$510 million in ...

Aypa Power secures \$535mn for hybrid solar-storage ...

Aypa Power, a Blackstone portfolio company specialising in large-scale hybrid energy projects, announced it has secured \$535mn in debt financing for its Vidal project, a combined solar and storage facility located in southeastern ...



GIGA Storage is developing Europe's largest energy ...

The permit application has been submitted, and we expect to commence construction in 2024. GIGA Storage aims to achieve the realization of 3 GW of battery storage in Belgium by 2030." About GIGA Storage Belgium GIGA ...



Battery Energy Storage Financing Structures and Revenue ...

Financing structure options for standalone storage projects and hybrid solar plus storage projects. The pool of potential investors in these projects by allowing project owners to transfer ...



- TELECOM CABINET
- BRAND NEW ORIGINAL
- HIGH-EFFICIENCY

Contact Us

For catalog requests, pricing, or partnerships, please visit:
<https://www.vdbconstruction.co.za>