

Lenghu Solar Power Station





Overview

Where is the Lenghu observatory located?

An aerial photo shows a winding mountain road leading to the Lenghu observatory site in northwest China's Qinghai Province, April 8, 2023. /Xinhua Star-gazing from 'roof of the world'.

Is Lenghu a stargazer town?

[Photo/Xinhua] Lenghu, a tiny town with about 500 permanent residents at an average altitude of 2,800 meters, will soon draw worldwide stargazers with a state-of-the-art observatory site located in northwest China's Qinghai Province.

Is Lenghu an astronomical observing site?

Reference: Deng, L., Yang, F., Chen, X. et al. Lenghu on the Tibetan Plateau as an astronomical observing site. Nature 596, 353–356 (2021).

Where is Xinhua Lenghu?

Xinhua Lenghu, a tiny town with about 500 permanent residents at an average altitude of 2,800 meters, will soon draw worldwide stargazers with a state-of-the-art observatory site located in northwest China's Qinghai Province.

Why is Lenghu a good observatory site?

China's top astronomers have chosen the area as an ideal observatory site, thanks to its clear night skies, stable atmospheric conditions and dry climate comparable to several globally-renowned observatories. Construction of the Lenghu site started in 2018.

Where is China's new solar power plant located?

The plant, situated in the Yalong River Basin of the Tibetan Autonomous



Prefecture of Garze in southwest China's Sichuan Province's Yajiang County, will cover the needs of 700,000 households for a whole year with its annual generating capacity of 2 billion kilowatt-hours (kWh).

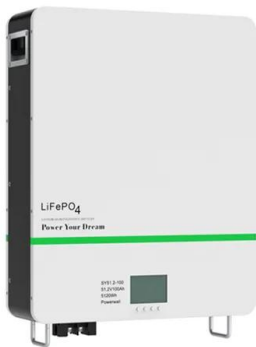


Lenghu Solar Power Station



Lynas Rare Earths signs contracts for Mt Weld power station

The hybrid power plant will consist of a wind farm, a solar farm and a battery energy storage system, with a total installed capacity of 65 megawatt (MW) once completed, ...

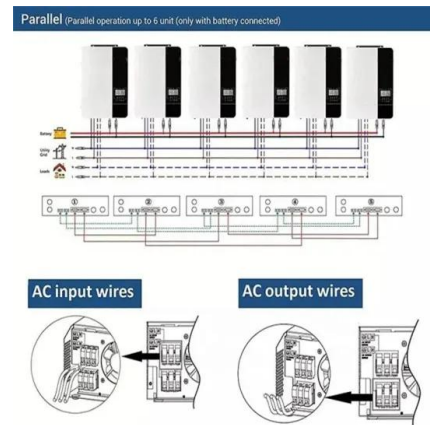


Zenith Energy to help Lynas move to gas-fired hybrid renewable power ...

"Moving away from the legacy diesel power plant to a gas-fired hybrid renewable power station is a significant step in our GHG emissions reduction plan" Open ...

[8 Best Solar-Powered Generators 2024](#)

Falling right in the sweet spot of weight, this power bank is lighter for its power than the Yeti 1500X, and it stays secure when strapped down in a moving vehicle or camper.



Long Solar Cable Run? Here's How to Minimize Line Loss

Cabling: 185 feet of 10-gauge solar wire, designed for direct burial and resistant to solar degradation. Portable Power Station: EcoFlow Delta Pro, acting as the hub for storing ...



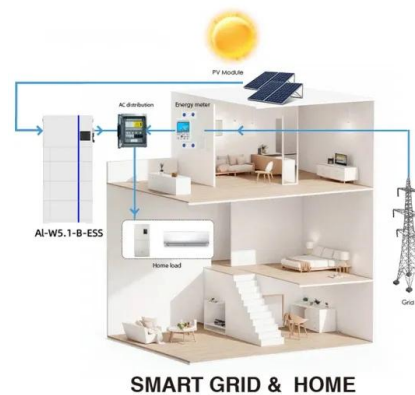
EcoFlow Portable Power Station

EcoFlow portable power stations come as part of two ranges -- RIVER and DELTA. Each range offers subdivisions of Mini, Max, Pro, etc. The DELTA Pro is currently the most robust power ...



Zenith Energy to power Lynas' Mount Weld

Once completed, the hybrid power station will have a capacity of around 65 megawatts (MW), comprising a 24MW wind farm, a 7MW solar photovoltaic farm, a 12MW battery energy storage system, a 17MW



5B appointed by Zenith Energy for 16MWp solar power project , 5B

7 February, 2023. 5B has been appointed as the solar technology provider for a 16MWp solar system that will form part of a 95MW hybrid power station that Zenith Energy is ...





Renewables power up Kathleen Valley

With just the solar farm and three of the five turbines now operational, the power station already has the renewable capacity to power the equivalent of over 10,000 WA homes. ...



Lynas signs contracts for Mt Weld hybrid power station

Upon completion the new hybrid power station will have approximately 65MW total installed capacity comprising a 24MW Wind Farm (4 wind turbines), a 7MW solar PV ...

Morocco's Mirage of Socioeconomic Change , zenith.me

Ten years ago, Hassan Abu el-Saïd, a farmer in his sixties, grudgingly accepted the cession of a piece of collective land (land owned by an ethnic collective, or ...



Zenith Energy inks PPA for hybrid power project in Western ...

This will have solar and wind farms. Zenith Energy has signed a power purchase agreement (PPA) with Lynas Rare Earths to design, build, own, operate, and maintain the ...



Zenith to build hybrid power station for Bellevue Gold

Independent power producer Zenith Energy has signed a power purchase agreement (PPA) with Bellevue Gold Limited for the Bellevue Gold Project in Western Australia.. Under the terms of the agreement, Zenith Energy will ...



China develops cutting-edge observatory on "roof of ...

XINING, May 10 (Xinhua) -- Lenghu, a tiny town with about 500 permanent residents at an average altitude of 2,800 meters, will soon draw worldwide stargazers with a state-of-the-art observatory site located in northwest China's ...

Zenith plans Australia's largest off-grid hybrid power ...

Liontown Resources is set to install what could be Australia's largest off-grid renewable energy hybrid power station, at its AUD 545 million (\$374.5 million) Kathleen Valley Lithium Project in



Zenith Energy and Liontown Resources to Partner on ...

The award was announced to the ASX on Monday September 12, and will see Zenith Energy construct a 95MW hybrid power station at Kathleen Valley in WA's Goldfields-Esperance region, which includes 30MW ...



EcoFlow DELTA 2 Portable Power Station

Pair with solar panels and charge in as fast as 3-6 hours with 1x400W, 2x220W portable solar panels. With its MPPT (Maximum Power Point Tracking) smart algorithm, DELTA 2 can ...



Western Australia mine site to install hybrid power ...

Western Australia-headquartered remote power specialist Zenith Energy will finance, design, build, own, operate and maintain a hybrid power station at the Lynas Rare Earths Mt Weld mine, 35 kilometres ...

Lynas signs Zenith contract for Mt Weld hybrid power station

The power station will deliver up to around 70% average annual renewable energy. Lynas Rare Earths (ASX: LYC) and Zenith Energy have signed contracts for the ...

TAX FREE

ENERGY STORAGE SYSTEM

Product Model
HJ-ESS-215A(100KW/215KWh)
HJ-ESS-115A(50KW 115KWh)

Dimensions
1600*1280*2200mm
1600*1200*2000mm

Rated Battery Capacity
215KWH/115KWH

Battery Cooling Method
Air Cooled/Liquid Cooled



Letter of Award for Kathleen Valley Hybrid Power Station

(Hybrid Power Station) for an initial term of 15 years from commercial operation of the Hybrid Power Station, which is expected to coincide with process plant commissioning ...





Zenith Energy, Liontown go big with proposed hybrid power plan ...

The award will see Zenith Energy construct a 95 MW hybrid power station at Kathleen Valley in the Goldfields-Esperance region, which includes 30 MW of wind capacity, ...



Power plant profile: Zenith Energy Solar PV Park, Australia

Zenith Energy Solar PV Park is a 16.9MW solar PV power project. It is planned in Western Australia, Australia. According to GlobalData, who tracks and profiles over 170,000 ...

Bellevue Gold and Zenith Energy Partner to establish ...

Tier 1 Independent Power Producer (IPP) Zenith Energy is proud to announce the signing of a power purchase agreement (PPA) with Bellevue Gold Limited (ASX: BGL). This agreement marks a significant ...



Liontown Resources signs Power Purchase Agreement (PPA) with ...

The PPA for the on-site power station will supply a renewable energy component which includes 30MW of wind capacity, a 16MWp fixed axis solar PV array, and ...



Nova Solar Powerstation , Projects , By Group

BY Group was engaged by Zenith Pacific to design, construct and commission the Nova Solar Power Station in the Eastern Goldfields of Western Australia. The Nova Solar Power Station

...



Contact Us

For catalog requests, pricing, or partnerships, please visit:
<https://www.vdbconstruction.co.za>