

Most efficient solar companies





Overview

Key takeaways about solar panel efficiency
The most efficient solar panels available for homes today are 22.8% efficient. Solar panel efficiency is the percentage of incoming sunlight that a single solar panel can convert into electricity. SunPower, Q CELLS, REC, Maxeon, and Panasonic offer the most efficient solar panels available on EnergySage right now. Which solar panels are most efficient?

Qcells has been the most widely installed residential solar panel brand in the United States. This is their most efficient residential panel to date. It has a temperature coefficient of -0.3% and a 25-year production guarantee of 90.58%. The Tiger Neo panel has a 22.52% maximum efficiency rating and a temperature coefficient of -0.29%.

Are solar panels more efficient?

Within those averages, you'll find solar panels with a range of efficiency ratings. It might not surprise you that you'll usually pay more for solar panels with greater efficiency. SunPower, one of the better-known solar panel brands, offers the most efficient and most expensive solar panels for homes at 22.8% efficiency.

Which solar panels have the highest efficiency in 2024?

Maxeon offers the highest efficiency solar panels of 2024, with maximum efficiency ratings of 22.8%. That's impressive! REC, whose Alpha Pure-RX models can reach 22.6% efficiency, is not far behind. Here are the top five highest efficiency home solar panels: 1. SunPower Maxeon Residential AC 440 W.

Which solar panels are best for your home?

Monocrystalline solar panels are currently the most common and efficient option for a solar energy system. However, polycrystalline or thin-film solar panels may better fit your home if you have excess roof space or low energy needs. We'll discuss the different types of solar panels in the section below.



What is the best high-efficiency solar system?

With a background in community organizing, Roger is dedicated to empowering communities to go solar. We recommend Maxeon as the best high-efficiency system because of the company's average panel efficiency of 20%–22.8%. Solar panel efficiency ratings indicate how well solar panels convert sunlight into usable energy.

What is solar panel efficiency?

Solar panel efficiency refers to how well a panel converts sunlight into usable electricity compared to the panel's size. Solar panel efficiency is expressed as a percentage. Today's leading solar manufacturers produce panels commonly measuring at 19%–21% efficiency. This is considered competitively efficient.



Most efficient solar companies



[8 Best Solar Companies of 2024 , U.S. News](#)

Key Takeaways SunPower was our pick for best overall solar company, but it recently announced that it's filing for Chapter 11 bankruptcy and is selling parts of its business - including Blue

[Top 7 Most Efficient Solar Panels In 2023](#)

In the world's significant shift towards renewable energy, solar panels are leading the charge. The last couple of years have witnessed a surge in manufacturers releasing more efficient solar panels. Let's delve into the details of each of the top 7 most efficient solar



Most Efficient Solar Cell: What Is It and How Does It Work?

Most efficient solar cell technology captures maximum sunlight to generate electricity efficiently. Explore different cell types, designs & materials. The National Renewable Energy Laboratory (NREL) says the highest efficiency for a solar cell reached 47.6% in 2022.

[Most Efficient Solar Panels in the UK \(2024\)](#)

Most Efficient Solar Panels in the UK 2024 Solar panel technology has come a long way in recent years with efficiency rates steadily improving as manufacturers innovate and refine their designs the UK, homeowners looking to maximise their solar energy



JinkoSolar Ranked on Fortune's Most Admired Chinese ...

19 ????· Driven by JinkoSolar's high-efficiency PERC and N-type TOPCon module technologies, these projects set world records for the lowest feed-in tariff of 2.42 US cents/kWh ...



Solar panel efficiency explained: most efficient solar ...

Key takeaways. Most home solar panels are between 19% and 21% efficient, but many manufacturers are achieving efficiencies of 22% and higher. The highest efficiency home solar panels today are from Maxeon and have an efficiency ...

Sample Order
UL/KC/CB/UN38.3/UL



Best Solar Companies In Texas Of 2024 - Forbes Home

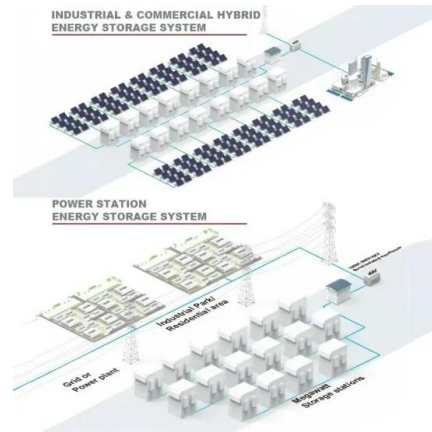
The best solar companies in Texas will help guide you on your solar panel project and set you up for success. The solar energy industry in Texas is thriving, with the SEIA ranking the state second





Most Efficient Solar Panels of 2024: Our Expert Review

Maximising your solar system's energy output starts with choosing efficient PV panels. This guide covers the top efficient residential solar panels of 2024, their performance, unique features, and benefits, helping you make an informed decision to get the best solar panels for your home. Why not get a solar panel quote from Green Central for [...]



Aptera Motors

Aptera is the most efficient Solar Electric Vehicle that requires no charging for most daily use -- giving you the freedom to do more with less impact on the planet. We're doing the impossible - something no other automakers have ...

Best Solar Panels and Inverters Brands of 2024

One of the most important parts of choosing solar equipment is having confidence that the manufacturer will be around in 25-30 years to honor their warranties. This is known as bankability. While only 0.05% of solar panels fail, lost energy production is lost money, so it's worth sticking with solar panel and inverter brands best known for their reliability.



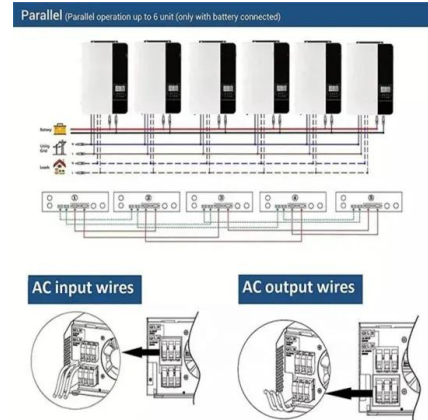
3 Best Solar Energy Companies Reviewed by Buyers in 2024

How many solar panels you need depends on your energy usage, roof and solar panels' efficiency. To 2020, to March 27, 2024, to identify the aspects that people care about most solar companies.



Top 5 Best Solar Companies in Arizona (2024 Reviews)

Different solar equipment brands vary in both pros and cons. Looking for the most affordable solar panels or the most efficient solar panels? Ask the representatives from each company and see what each can offer. If you're looking for a specific brand, it's best to



Top 6 Most Efficient Solar Panels

Efficiency rating (15%): Of course, the most important thing I look at when searching for the most efficient solar panels is the efficiency rating. The efficiency rating tells you what percentage of the available sunlight a panel can convert to usable electricity (check out solar panels' power generation capacity), so the higher this number, the more energy savings you'll ...

7 Most Efficient Solar Panels Reviews In 2024

Solar panel manufacturers make commercial panels with an average efficiency rating between 15-20% because most of the energy collected by the panels is lost in the process of conversion (). Many factors like solar technology also impact solar panel efficiency, which is why most solar panels can never be 100% efficient.



The 7 Most Efficient Solar Panels of 2024: Expert ...

Key Takeaways. Maxeon solar systems are the most efficient, with panels reaching efficiency of up to 22.8%. Higher efficiency panels provide better energy production, lowering your power bill. Solar panel efficiency is ...



[Best Solar Inverter Brands of 2024](#)

Solar inverters are the heart of a solar power system. They help convert incoming solar rays into usable energy. The right inverter can boost panel performance, improve energy production, and power your home more efficiently. Although ...



Most Efficient Solar Panels: A Comprehensive Guide for a ...

Introduction to Solar Panel Efficiency The most efficient solar panels currently on the market are produced by manufacturers like LG, SunPower, and Panasonic. These panels can reach efficiencies up to 22.8%, higher than the industry average of 15-18%. Despite

[Best Solar Companies In Pittsburgh Of 2024](#)

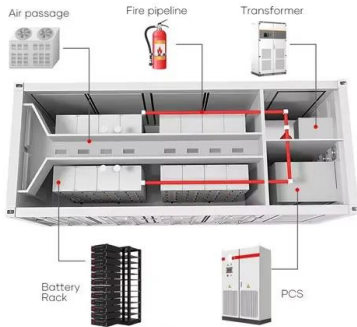
Monocrystalline solar panels: These are the most frequently installed panels, boasting the highest efficiency rating of 20% or higher with warranties that typically last 25 years.





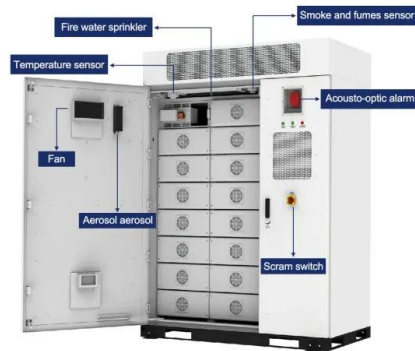
11 Best Solar Panel Manufacturers

At the heart of this booming industry are the solar cell panel manufacturers, whose innovations have made solar energy more accessible and efficient than ever before. As we look ahead to 2024, a handful of leading companies are poised to dominate the market, offering cutting-edge technologies and a range of solutions for homeowners and businesses alike.



Solar panel efficiency explained: most efficient solar ...

Jinko Solar's new Eagle G6 440-watt solar panel is 22.53% efficient, making it the third most efficient solar panel for homeowners. Like many solar manufacturers, Jinko Solar adopted n-type TOPCon solar cells for the Eagle G6. TOPCon ...



The 5 Best Solar Companies of 2024

See It Why It Made the Cut: SunPower has the most efficient solar panels in the industry and installs solar panel systems in all 50 states and Washington, D.C. SunPower leads the industry in solar

Top solar panel brands in reliability, quality, and ...

Module efficiency. Top performers: Auxin Solar, JA Solar, Longi Solar, Meyer Burger, Mission Solar, Qcells, REC Solar, Silfab Solar, Trina Solar, Yingli Solar. Module efficiency, or the percentage of incident solar energy ...





[Best solar panels UK in 2024](#)

Most efficient solar panel: Aiko ABC Neostar 3N54 495W Best budget solar panel: JA Solar JAM72S30 LR 585W Best low-light solar panel: Suntech Ultra V Pro Mini 515Wp The best solar panels for UK



2MW / 5MWh
Customizable

Top solar panel brands in performance, reliability, and ...

Module efficiency. Top performers: Auxin Solar, JA Solar, Longi Solar, Meyer Burger, Mission Solar, Qcells, REC Solar, Silfab Solar, Trina Solar, Yingli Solar. Module efficiency, or the



[Best Residential Solar Panels \(2024\)](#)

We compared some of the best solar panel companies on efficiency ratings, warranty coverage, availability and reviews: Our pick for black roof panels: Maxeon Our pick for guaranteed output: Panasonic



How To Find the Best Solar Panels for Your Home in 2024

The most efficient solar cell of any kind has an efficiency of 39.5%, but is designed for space applications, In fact, most manufacturers release their panel warranties and performance guarantees in the same document. Solar Panel Efficiency It's important that





Top 10 Most Efficient Solar Panels for 2024

Solar Panel	Power (W)	Efficiency (%)
Aiko N-Type ABC Series 595-615	23.0-23.8	
Recom Tech Black Tiger 460	23.6	
MAXEON 6 AC Solar Panel 440	22.8	
Longi Solar Hi-Mo 6 Scientist 450 23	23.04	
Huasun Solar Himalaya G10 450	23.04	
Canadian Solar TOPHiKu6 620	23	



Best solar panel installers in the UK

As of June 2024, over 1.4 million UK homes have been fitted with solar panels [1] by more than 2,000 national solar panel installers. If you are considering making the switch to solar energy, our



Most efficient solar panels 2024

What are the most efficient solar panels? At present, monocrystalline panels are the most efficient type available. However, modern monocrystalline panels are manufactured using several different cell types, with the most efficient varieties built using highN-type,



Contact Us

For catalog requests, pricing, or partnerships, please visit:
<https://www.vdbconstruction.co.za>