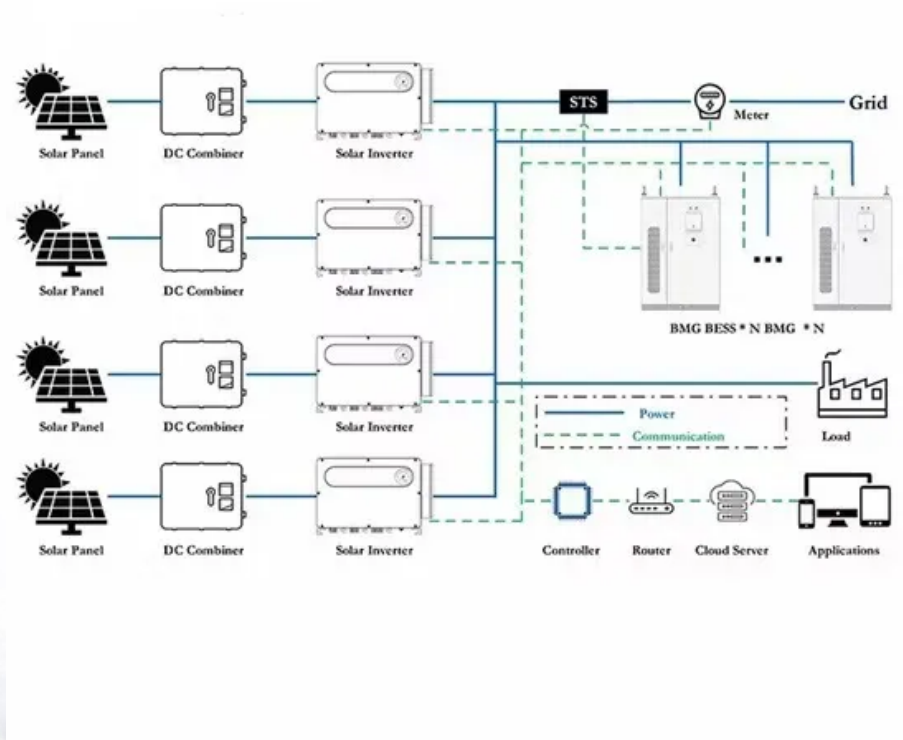


# Photovoltaic bracket installation steps and requirements





## Overview

---

How do you install a solar panel bracket?

The end brackets will have a spot to hold a single panel, and the middle brackets will have a spot to secure two panels. Some solar panel kits may use single panel brackets. The basic is to position the bracket to capture the panel and then tighten the bolt that clamps the bracket to the panel.

Why should you install a solar panel bracket?

The purpose of installing the bracket is to better fix the solar panel. If there is a more convenient and feasible method to fix the solar panel. PVMars will definitely recommend it to you, and effective solutions are based on solar panels' characteristics and your on-site installation environment.

How to install a solar panel?

The first step is to attach the fixing bracket to the solar panel. Lay the solar panel face-down on the tarp or canvas to protect the photovoltaic surface. You want to be sure the mounting holes on the back of the panel align with the holes in the fixing bracket. Don't modify the module frame because doing so may void your manufacturer's warranty.

How do I Mount my solar panels?

Here's a step-by-step DIY guide to mounting your panels. Depending on various factors, your solar panel mounting process might differ slightly. For this guide, we use the Tilt Mount Bracket for EcoFlow 400W Rigid Solar Panel as an example. Make sure to consult your equipment manuals before proceeding to install your panels. 1. Plan and Prepare.

How to install rigid solar panels on a roof?

EcoFlow's rigid solar panels come with a Tilt Mount Bracket for easy rooftop installation. The components include four fixing brackets, two adjustable brackets, and screws. This should be all you need to mount rigid solar panels



on the roof or any other flat surface on your home that receives direct sunlight.

Do I need planning permission to install solar panels on my roof?

When considering the installation of solar panels on your roof, it's critical to understand if you need permission. In the UK, solar panel installations often fall under "Permitted Development," meaning you typically won't need planning permission.



## Photovoltaic bracket installation steps and requirements

---



### Ultimate Guide Videos for All Types of Mounting ...

This is the most comprehensive solar panel mounting video article, including videos of various mounting brackets. For example, how to use the balcony to install solar panels. This includes iron sheet/ground roof solar panel bracket ...

### Preparation of solar inverter installation and the notes

The installation position should be convenient for electrical connection, operation, and maintenance. 4. How to locate the place of home solar inverter installation. On ...



### Guide to Installing Solar Panels in South Africa

Embarking on a DIY solar panel installation journey in South Africa is not only a rewarding endeavor but also a significant step toward a sustainable future. With careful ...

### [Photovoltaic tracking bracket](#)

The tracking photovoltaic bracket can adjust the angle of the photovoltaic module in real time according to the position of the sun, so that it is always facing the solar radiation, thereby ...



### A Step-by-Step Guide to Solar PV System Installation: From Start ...

Follow our step-by-step guide to solar PV system installation, from consultation to energy savings! ? The installers will begin by securing mounting brackets to your roof or ...



### Summary of the solar panel clamp knowledge in detail

The selection and use of solar panel clamp plays a very important role in the installation and operation of photovoltaic systems. The following summarizes the relevant ...



### Materials, requirements and characteristics of solar photovoltaic brackets

Solar photovoltaic bracket is a special bracket designed for placing, installing and fixing solar panels in solar photovoltaic power generation systems. The general materials are aluminum ...





## Large-Scale Ground Photovoltaic Bracket Selection ...

For large-scale ground photovoltaic bracket, selecting the appropriate type of support structure is a critical step in improving the overall performance and economic benefits of the system. In this guide, we will look at the different ...



## How are solar panels installed? , 11 steps explained

Here's how a solar panel installation works from start to finish, and what you should do before and after the installation. ? The first step of a solar panel installation is a ...

### [PV Inverter Quick Installation Guide](#)

3.5.2 Steel Frame Installation Mounting Steps:  
Step 1: Level the assembled mounting bracket by using a level, and mark the positions for drilling holes on the steel frame. Drill the holes.  
...



## Solar Photovoltaic: SPECIFICATION, CHECKLIST AND GUIDE

The RERH specifications and checklists take a builder and a project design team through the steps of assessing a home's solar resource potential and defining the minimum structural and ...



## Solar Panel Brackets: The Ultimate Guide, types and ...

Types of Solar Panels Brackets. There are different types available, including railless brackets, and top-of-pole mounts, the specific type of bracket or clamp chosen depends on factors such as the dimensions of the ...



### [Solar Panel Mounting Structures](#)

Deciding to install a solar system is only the first step. Solar panel installation constitutes a substantial project with significant financial implications, entailing numerous subsequent decisions.. This article explores ...

## How To Mount Solar Panel -- A Step-by-Step DIY Guide

2. Attach the Fixing Bracket to the Solar Panel. Once you've gathered all the tools and followed up on permits and safety requirements, it's time to set up your mounting ...



### [PV Inverter Quick Installation Guide](#)

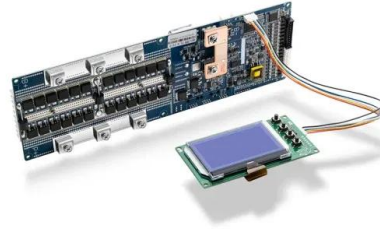


Step 3: Fix the mounting-bracket with the expansion bolts. 30N.m M8 12N.m #13/#16 0 25 FIG 3-9 Install the wall bracket 3.5 Inverter Installation Step 1: Take out the inverter from the packing ...



## How To Mount Solar Panel -- A Step-by-Step DIY ...

2. Attach the Fixing Bracket to the Solar Panel. Once you've gathered all the tools and followed up on permits and safety requirements, it's time to set up your mounting system. The first step is to attach the fixing ...



51.2V 300AH

### [Roof Anchor System for Solar Panels](#)

Here is design guidance for anchoring PV systems in hurricane-prone regions: (from FEMA Rooftop Solar Panel Attachment: Design, Installation, and Maintenance 2018). As an initial ...

### Photovoltaic bracket

A photovoltaic bracket is an essential component of the installation of solar panels. Its role is to support the solar panel and fix it in the correct position to capture solar energy to the maximum extent. Different materials and designs ...



### The Ultimate Guide to DIY Solar Panel Installation

Final Thoughts. Performing your own DIY solar panel installation is an empowering step towards energy independence and sustainability. Throughout our guide, ...



### Solar Panel Installation Rooftop: Step-by-Step Guide

The utilization of solar energy has gained immense popularity as a sustainable power source and Solar Panel Installation on rooftops is a common method of harnessing this ...



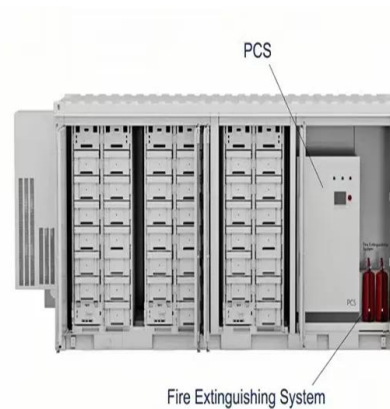
### On The Connection Of Solar Photovoltaic Installation For Self ...

Solar Photovoltaic Installation for Self-Consumption GP/ST/No.13/2017 ANNEX 1 - Connection of Solar Photovoltaic Installation for Self-Consumption Page 1.0 General Requirements 8 2.0 ...



### How to fit solar panels to A tiled Roof UK , DANLEC

Understanding Solar Panel Installation Requirements. Another important aspect of fitting solar PV panels on a tiled roof is sealing any gaps around the mounting brackets. This step is crucial to prevent water penetration into the ...



### Quality Solar Panel Mounting System, Solar Panel ...

Boyue Photovoltaic Technology Co., Ltd is located in Hebei Province, China, the factory covers an area of 18,000 square meters, and 150 workers, 66 kilometers away from Beijing Airport and 180 kilometers away from Tianjin Xingang.Our ...





## How To Mount Solar Panel -- A Step-by-Step DIY Guide

2. Attach the Fixing Bracket to the Solar Panel. Once you've gathered all the tools and followed up on permits and safety requirements, it's time to set up your mounting ...



## A Full Guide to Photovoltaic Array Design and Installation

Under a PPA, the solar power producer builds, maintains, and operates a solar power system, while the consumer only pays for the electricity produced by the system. By ...

## The Use and Function of Solar Photovoltaic Bracket

As the global demand for renewable energy is increasing, solar photovoltaic system has become a popular alternative energy solution. The solar photovoltaic bracket, as ...



## How to Install Solar Panels (Detailed Step-By-Step Guide)

Some solar panel kits may use single panel brackets. The basic is to position the bracket to capture the panel and then tighten the bolt that clamps the bracket to the panel. You may need only a single socket wrench ...



## **Guide to Solar Carport Installation: Steps and Benefits**

The installation of a solar carport is a systematic process that involves constructing the support structure, installing the photovoltaic panels, and integrating the electrical systems. Each step must be executed with precision, ...



## **Contact Us**

---

For catalog requests, pricing, or partnerships, please visit:  
<https://www.vdbconstruction.co.za>