

Shipping lithium batteries from china to usa





Overview

How to ship lithium batteries from China?

When it comes to shipping lithium batteries from China, there are many safety regulations you must follow. Comply with IATA regulations, label battery properly and use recommended packaging procedures, amongst others. That's why this guide explores all the vital aspects you should know about shipping lithium batteries from China.

Can a lithium battery be transported?

Lithium batteries are widely used, with stand-alone lithium batteries or lithium batteries built into consumer electronics. Products with built-in lithium batteries you can easily transport. But for stand-alone lithium batteries, transporting them requires special services.

Can I ship a lithium battery cross-border?

There are regulations attached to the cross-border shipping of batteries to ensure they travel safely. These regulations vary depending on the type of batteries. Lithium batteries, for example, are classified as Dangerous Goods, so not all types of lithium batteries are accepted by DHL Express which you can check here.

How do you ship a lithium battery?

If you buy anything without any knowledge, then, of course, you may not be able to get them or even pay a high price, which is a bad experience. There are three methods of shipping lithium batteries: ocean freight, air freight, and courier service. International Express delivery Well-known UPS and DHL offer lithium battery shipping services.

Which shipping companies ship lithium batteries?

Well-known UPS and DHL offer lithium battery shipping services. Shipping companies use specific means of transport, and professional staff deal with



lithium batteries. This professional dangerous goods transport can deliver your battery cargo faster, and they offer faster global reach and are your choice.

Do you ship lithium batteries internationally?

Shipping lithium batteries internationally can be a complicated process, but don't worry — FedEx is here to help. Are you shipping Lithium Batteries?

While lithium batteries are often found in items we use every day, such as mobile phones and calculators, they can cause fire hazards on the ground and in-flight if improperly handled.



Shipping lithium batteries from china to usa

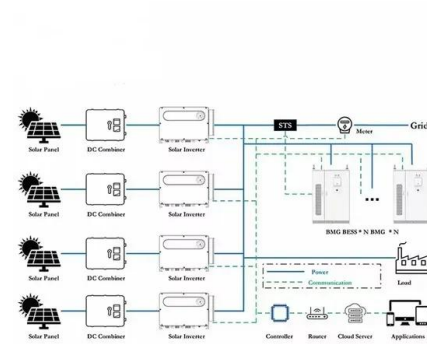


Guide to shipping batteries & electronics internationally

When it comes to shipping lithium batteries or sending other types of batteries by post to cross-border customers, This means that whether you are shipping from Malaysia to the US or anywhere else in the world, ...

Shipping Lithium Batteries from China: The Ultimate FAQ Guide

When it comes to shipping lithium batteries from China, there are many safety regulations you must follow. Comply with IATA regulations, label battery properly and use recommended packaging procedures, amongst others. That's why this guide explores all the vital aspects you should know about shipping lithium batteries from China. Let's dive right in. What is [...]



How to ship lithium batteries from China Safely(2022)

Avoid shipping Lithium Batteries before or after any China holidays because that time, the shipping unit price is higher than on common days. Cooperate with Licensed battery manufacturers to let all the Lithium batteries you buy from them be Quality assurance and complete product certification; otherwise, you will need to spend a long time and extra cost to ...

How to Import Battery from China: A Complete Guide



o Familiarize yourself with international and local regulations governing the shipping of batteries, including lithium-ion battery shipping regulations. Compliance with UN38.3, DOT, IATA, and other relevant standards is imperative.

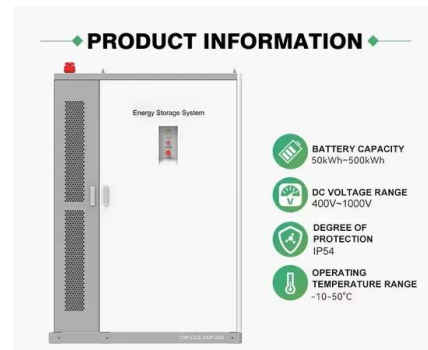


How to Ship E-Bike Battery Internationally [Regulations]

How Much Does it Cost to Ship an E-bike The cost of transporting up to 50 pounds of lithium-ion battery is typically between \$50 and \$60. However, the delivery price will be greater for lithium-ion batteries that weigh more than 50 pounds, usually costing between \$

[How to Ship an Electric Scooter \(FedEx / UPS\)](#)

New changes in 2022: Up until earlier this year, shipping any electric bike or scooter with a lithium battery over 100 Watt Hours (which is pretty much all of them), was considered UN 3480 by the USDOT, which came with ...



How to Ship Wet, Dry, and Lithium Batteries , FedEx

Learn how to ship your batteries with our guide. Discover how to identify your wet or dry battery and how to secure them for shipping. Our guidelines for shipping lithium batteries will help make sure you meet all standards for safely shipping batteries.



Shipping Lithium Batteries , FedEx South Africa

Shipping lithium batteries can be complicated, but FedEx provides all the information you need to ship batteries safely to and from South Africa. When shipping a package containing lithium batteries, strong rigid outer packaging must be used and, depending on the



Shipping Lithium Batteries from China Safely and Securely

By cooperating with our DFH team, You can safely and securely arrange shipments with and without lithium batteries. We will help you begin By Collecting from suppliers' factories, packaging, labeling, and inspecting to custom clearance and Delivery ...

[Shipping Lithium Batteries , FedEx Australia](#)

Shipping lithium batteries can be complicated, but FedEx provides all the information you need to ship batteries safely to and from Australia. While lithium batteries are often found in items we use every day, such as mobile phones and calculators, they can cause



[Lithium Batteries Guidance](#)

2024 Lithium Batteries Regulations: Battery Types. Step 1 - What type of battery are you shipping? Tip: Click the below buttons to get more details on each type of batteries. Lithium ion ...



Shipping lithium batteries . United Kingdom

For shipping, all types of lithium batteries are classified as dangerous goods -- with special regulations for packing, labelling, documentation and handling. FedEx adheres to IATA regulations for shipping lithium batteries by air and ADR regulations for shipping lithium batteries by road in Europe.



Standard 20ft containers



Standard 40ft containers

Shipping Lithium Batteries From China: UN 38.3, Packaging

In other words, if you don't have a test report, valid for your batteries, you can't get the lithium batteries and equipment shipped from China. While IATA doesn't require that you submit an MSDS or UN 38.3 test report, your freight forwarder or air courier (i.e., Fedex or DHL) will certainly do so.

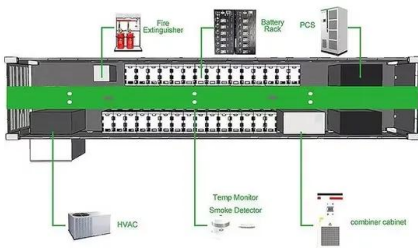
Shipping lithium batteries . Germany

For shipping, all types of lithium batteries are classified as dangerous goods -- with special regulations for packing, labelling, documentation and handling. FedEx adheres to IATA regulations for shipping lithium batteries by air and ADR regulations for shipping lithium batteries by road in Europe.



How to Ship Lithium Ion Batteries

Learn how to ship lithium ion batteries on shippingschool . Lithium ion batteries are categorized in Class 9 of Hazardous Materials, Hello Rockwell, I'd like to import Lithium ion battery packs from China to USA. Ideally, I'd like them to come in as opposed





[How to Ship Batteries , UPS](#)

Effective 1 July 2015, all existing customers and new customers who wish to ship lithium metal batteries without equipment (UN3090) via UPS[®] Air services must obtain pre-approval from UPS Airlines. This requirement is to ensure that proper training has occurred and that all applicable safety regulations are properly followed for such shipments.



Shipping Lithium Batteries From China: UN 38.3, Packaging

[Click here to read our article on how to import standalone lithium batteries, or Li-ion powered electronic devices, from China: safety regulations, labeling, export packaging, ...](#)

A Guide to Shipping Batteries Overseas by Air and Sea Freight

How to safely ship lithium-ion and other batteries internationally including understanding restrictions, prohibitions and suitable packaging
When you are shipping your personal effects and household goods overseas it is quite likely that you'll also need to send some



Shipping Lithium Batteries from China: The Ultimate FAQ Guide

When it comes to shipping lithium batteries from China, there are many safety regulations you must follow. Comply with IATA regulations, label battery properly and use ...



[Shipping lithium batteries by air](#)

Shippers must follow these rules, be appropriately certified, and have the training and expertise to prepare lithium-ion batteries for safe air transport. Here are some of the criteria for shipping lithium-ion batteries by air:



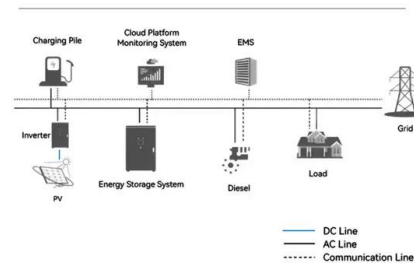
[Shipping Lithium Batteries](#)

Shipping Lithium Batteries UN 3090, UN 3480, UN 3091, UN 3481 With the rise and popularity of e-Bikes and technology products being powered by or contain lithium batteries, many businesses are unsure how to prepare the correct documentation. Not

[Lithium Batteries Guidance](#)

2024 Lithium Batteries Regulations: Battery Types. Step 1 - What type of battery are you shipping? Tip: Click the below buttons to get more details on each type of batteries. Lithium ion batteries or cells are rechargeable (secondary) lithium ion or lithium cells or

System Topology



[Lithium Battery Shipping Overview](#)

When shipping or importing lithium batteries, including those contained in or packed with devices and equipment, packaging requirements must be met and package contents must be declared ...



Shipping Lithium Batteries , FedEx Philippines

Shipping lithium batteries can be complicated, but FedEx provides all the information you need to ship batteries safely to and from Philippines. While lithium batteries are often found in items we use every day, such as mobile phones and calculators, they can cause



How to Ship Lithium-Ion Batteries in 2024 , Easyship

With so many products using lithium batteries, it's important to understand how to ship them. Learn here how to safely pack and ship lithium batteries. Shipping Batteries Installed in Consumer Products If your eCommerce business requires you to ship consumer

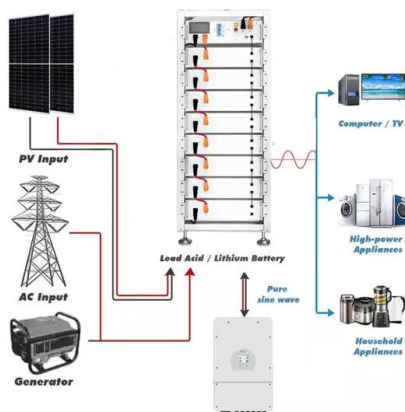
China's New Regulations for Lithium Battery Shipping

On October 30, 2019, the Civil Aviation Administration of China has issued new regulations regarding the latest UN38.3 requirements for shipping lithium batteries from any Chinese air/sea ports. This comes effective on January 1, 2020. 1. Starting from January 1



How to Ship Lithium Batteries from China , Winsky Freight

If you need help transporting lithium batteries from China to USA, Canada, Australia and any other Countries, go no further than Winsky Freight. We have been entrusted with the delivery of lithium batteries since 2010. Our objective is to ensure your batteries are





Regulation for Batteries Shipments from China

Lithium batteries are classified in class 9 - Other dangerous goods: UN 3090, lithium metal batteries ONU 3480, lithium-ion batteries or, if contained in a device or packaged separately: UN 3091, lithium metal batteries contained in equipment; UN 3091 UN 3481



Shipping Lithium Batteries , FedEx Hong Kong SAR, China

Shipping lithium batteries can be complicated, but FedEx provides all the information you need to ship batteries safely to and from Hong Kong SAR, China. While lithium batteries are often found in items we use every day, such as mobile phones and calculators

How to Safely Ship Lithium Batteries: A Step-by-Step ...

Learn how to properly prepare, package and ship lithium batteries from China. Follow our guide for safe transportation and compliance. Shipping Service From China



Shipping and importing devices containing lithium batteries

In this document, the term lithium batteries is used to refer to both lithium ion and lithium metal batteries. Lithium batteries are dangerous goods, much like gasoline, propane, and sulphuric acid. Lithium batteries are used in many electronic devices such as cameras, cell phones, laptop computers, medical equipment and power tools.



[Lithium Battery Shipping Overview](#)

Lithium Battery Shipping Overview (also see 49CFR173.185) PGH Safety Jan 2024 Lithium batteries are used in many electronic devices such as cameras, cell phones, laptop computers, medical equipment and power tools. When shipping or importing lithium



Contact Us

For catalog requests, pricing, or partnerships, please visit:
<https://www.vdbconstruction.co.za>