

Solar Power Doomsday





Overview

What happens if a solar storm hits the Earth?

As the Earth's magnetic field changes in response to a solar storm, it can cause huge currents in power lines that blow out transformers and compromise electrical grids. Studies of the United States alone have predicted that a major solar storm would leave tens of millions of people without power, some for weeks, months, or even years.

How powerful are solar storms?

The most severe "X-class" flares can unleash the same amount of power as 10 billion megatons of TNT, which can disturb our ionosphere and disrupt any process that relies on signals beamed down from space. Here is how solar storms' power compares to big terrestrial phenomena:.

Could a solar storm kill Earth in 2025?

(Image credit: NASA/SDO) Despite a myriad of claims about how the sun could kill the planet, there are no science-backed predictions that a deadly solar storm will occur in 2025. Forecasting the severity of damage that solar storms could cause on Earth is complicated, according to Upendran.

Are solar storms overdue?

Phenomena like large solar flares and CMEs are most common during periods of "solar maximum" that occur approximately every 11 years — next up around 2025. The good news is, researchers estimate that storms of sufficient magnitude to cause real havoc occur only once every hundred or so years. The bad news is, we're probably overdue.

What is the biggest solar storm in history?

Ones strong enough to damage the power grid or cause power outages happen every 10-20 years, but they largely only affect northern countries and only for a few hours. The biggest one in recent decades was a 1989 storm that



took out the grid in all of Quebec for nine hours. In 1859, the largest solar storm in recorded history struck a lot harder.

Did a solar storm ever occur?

It so happens that at least once during recorded history, a solar event of this magnitude did occur: the solar storm of 1859. On September 1 and 2 of that year, the largest geomagnetic storm in recorded history occurred, causing aurorae (the northern and southern lights) to be visible around the world.



Solar Power Doomsday



[Google foobar . Oasys Networking](#)

Challenge 1.1 "Solar Doomsday Due to the nature of the space station's outer paneling, all of its solar panels must be squares. Fortunately, you have one very large and flat ...

Solar storms are a threat to our electricity-dependent ...

The fictional crisis is a massive solar storm that frazzles the UK's electric infrastructure. The prime minister must get the lights back on before social collapse, food shortages and anarchy

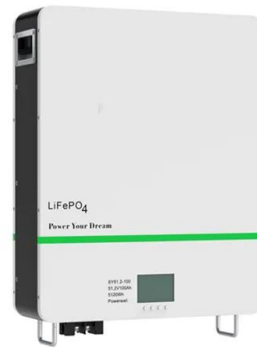


Meet PiDex: your Raspberry Pi 5-powered doomsday ...

USB to 3.5mm headphone jack (so that you can listen to your doomsday comms in private) Big red toggle switch so you feel powerful and important when firing up your cyberdeck; Portable solar panels can be ...

Man who spent three years preparing for Doomsday shows off ...

3 ???· Tackling potential power outages, he then revealed an arsenal of solar generators, solar panels and backup batteries, before recording footage of a vast amount of toilet paper ...



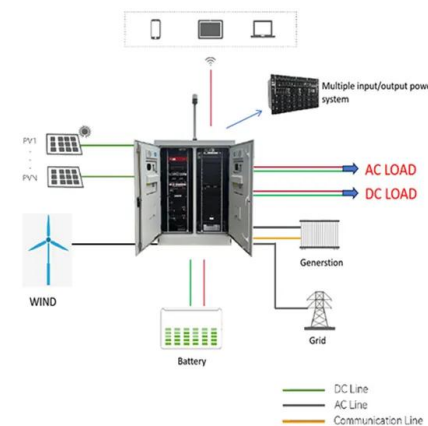
[Babcock Ranch , The Hometown of Tomorrow](#)

We're America's first solar-powered town, and we're pretty passionate about it. From our 870-acre solar farm, to solar tree charging stations, to the country's largest solar-plus-battery storage system, renewable energy is a part of ...



[Doomsday Preppers : r/solarpunk](#)

Guns are a much less important survival tool than water filtration, permaculture, soil science, solar panels, etc etc. And being isolated and trying to fight your neighbors is a much less effective ...



[Doomsday Prepping for Beginners](#)

Figure the grid is gone or at least unreliable. Generating your own power is one option. Solar power and wind power with the necessary batteries for storage or a solar generator make a lot of sense. Lanterns are an idea, but they need fuel. ...





Home Solar Power Systems: A Key Role in the "Doomsday ...

The Necessity of Solar Power in the Wealthy's "Doomsday Fortresses" With the increase in environmental issues and global political instability, the wealthy around the world ...



Deye Official Store

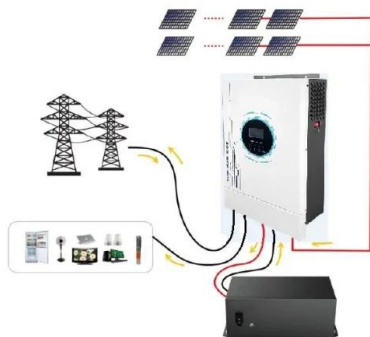
10 years warranty

[How does solar energy work?](#)

How the Sun's energy gets to us How solar cells and solar panels work What energy solar cells and panels use What the advantage and disadvantages of solar energy are This resource is ...

Will Solar Panels Survive A Nuclear Emp (And Dear ...

The short answer is solar panels will probably get zapped by a nuclear EMP, because the wires they're connected to will cause extremely high voltages to backfeed into them. But there are ways to protect solar panels from an EMP, ...



[google-foobar-challenge/solar-doomsday.py](#) at main

Due to the nature of the space station's outer paneling, all of its solar panels must be squares. Fortunately, you have one very large and flat area of solar material, a pair of industrial-strength ...



Australian Solar Panels Systems: Tips, Pricing, and Specs

The cost of installing solar panels in Queensland, Australia, can vary depending on several factors, but generally falls within a range of \$5,000 to \$15,000. This price includes ...



[Luxury after Doomsday: billionaire bunkers](#)

They will survive Doomsday in luxurious bunkers packed with technology to keep out radiation, virus particles, and people. Experience the future homes of the elite.



NASA-enabled AI Predictions May Give Time to Prepare for Solar ...

The model uses AI to analyze spacecraft measurements of the solar wind (an unrelenting stream of material from the Sun) and predict where an impending solar storm will ...



Let's talk "Doomsday" Preppers for a bit : r/preppers

I encourage every prepper to do a risk analysis of their situation and make risk-informed decisions to guide your preps. A multi-day power outage (as evidenced in numerous weather events, ...





Should you be worried about solar storms?

In the most extreme scenarios, some power grids could be knocked out for weeks or even months. But that is the worst case. With the right precautions, solar activity ...



What Would Happen If a Doomsday, Carrington-Sized Solar

We've reviewed dozens of different solar power setups, some powerful enough to power major appliances. With these packed up and unplugged they wouldn't get hit by a ...

The 10 best solar-powered generators, per experts

Being proactive about your home's electricity doesn't necessarily make you a doomsday prepper -- it just makes you a smart person. Power outages, especially temporary ones, aren't all that

Support Customized Product



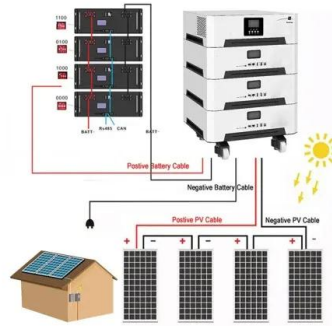
Going off-grid in the 2020s: Updated battery

Doomsday bunkers aren't present in either of these situations -- off-grid setups already exist in many urban neighborhoods. Today's power needs require battery technologies ...



Opinions on a hand crank/solar powered item like this ? I've

The solar panels basically didn't work and the charging port broke on the first day. Other than that it worked fine. Radio was good, the crank was surprisingly usable and held a charge, and the ...



Here's What Would Happen if a Solar Storm Wiped ...

For many, the outage lasted only hours, but for others it took days for the power to come back on. It's this kind of medieval scenario that has scientists at the White House worried a doomsday-scale geomagnetic storm ...

Ways to Generate Power After the Apocalypse

Doomsday preppers all over the world are fortifying their homes and stockpiling supplies to keep going in this brave new world. solar power will be a useful option in your ...



Doomsday Prep Checklist: Essential Items

During a doomsday scenario, electricity may not be readily available. That's why it's important to have sustainable energy sources to power your devices and appliances. Here are a few options to consider: Solar ...



Yes, solar storms are increasing, but don't lose sleep over an

Scientists haven't predicted a deadly solar storm in July 2025. Despite a myriad of claims about how the sun could kill the planet, there are no science-backed predictions that ...



11 Solar Survival Gear Items (Be Prepared For Anything)

Large scale solar panels are impractical to carry around with you as solar survival gear, they are simply too rigid and heavy. However, these foldable solar panels can easily fit inside your car or ...

How to Survive an EMP Attack: Essential Guide for EMP Survival

Understanding EMP Survival: What You Need to Know to Survive an EMP Attack. It is essential to have a thorough understanding of EMP survival in order to effectively ...



 LFP 12V 200Ah



How come Doomsday never evolved to absorb Sun radiation

Solar Energy Drain: Doomsday's claws will now sap off Solar Energy from other Solar powered beings, he can drain Kryptonian of their solar energy, rendering them human, ...



Contact Us

For catalog requests, pricing, or partnerships, please visit:
<https://www.vdbconstruction.co.za>