

Solar system with generator backup





Solar system with generator backup

Outdoor Cabinet BESS
50 kWh/500 kWh Battery Storage System
Industrial and Commercial Energy Storage

- All in One**
Integrating battery packs
- High-capacity**
50-500kWh
- Degree of Protection**
IP54
- Operating Temperature Range**
-20-60°C(Derating above 50 °C)
- Intelligent Integration**
Integrated photovoltaic storage cabinet
- Rated AC Power**
50-100kW
- Altitude**
3000m(>3000m derating)

When to Add a Grid-tied Solar System with Battery Backup

Here's The Article Summary Adding a battery backup to a grid-tied solar system enhances reliability and provides numerous benefits. It ensures continuous access to electricity during utility outages, optimizing self-consumption and increasing savings by utilizing stored solar power during peak periods.

Best Generators for an Off-grid Solar Power System.

A typical backup generator for an off-grid solar system would ideally produce twice the wattage your inverter would. For example, if you're using a Victron Phoenix 24v inverter that can handle a continuous 650w, you would want a 1300w generator.



5 Best Solar Battery Backup Systems for Homes in 2023

Are you shopping around for solar battery backup systems for your home? Here's a list of the best solar battery backup systems and what to look out for. With net metering rules changing in states like California, and power outages becoming more frequent due to climate change, solar battery backup systems have grown in popularity recently.

How To Install A Generator With Existing Solar Panels

hi Jason Szumlanski The system isolated from the grid is a diesel generator with solar cells I



designed a solar system with a backup generator. The generator will remain in working condition at 30 percent of the generator's capacity. When the generation from the



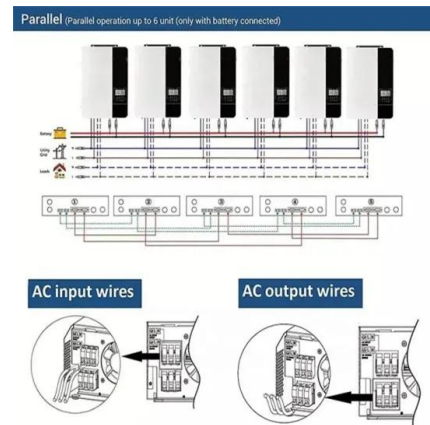
Solar Generators: Complete Guide (From Portable to Home Backup)

Explore Solar Generators: Complete Guide (From Portable to Home Backup) for top insights on solar power systems and how to enhance efficiency for your setup. The charge controller is a vital component of a solar-powered generator. Its main purpose is to protect



How to Pick a Solar Panel and Battery Backup System

fossil-fuel-based backup systems--namely portable or permanent generators--seem increasingly which has had success selling solar generators to campers and RVers, also offers a home



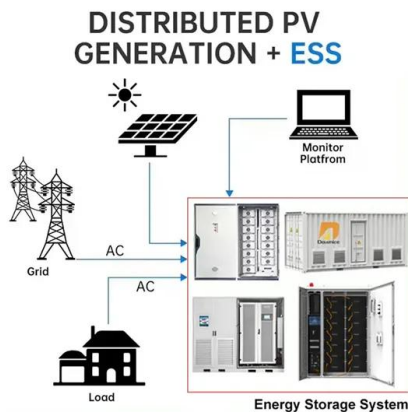
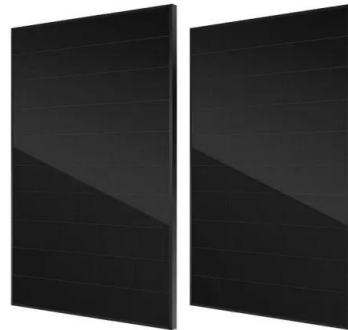
Solar And Generator Hybrid Systems

Although a solar and generator hybrid system is cheaper than using only a diesel generator, the long-term costs are still more than using a purely solar generator. The diesel element of the generator requires fuel and, depending on what season you're in, it may need more than usual if there's no sunlight.



8 Best Solar-Powered Generators 2024

The Best Solar-Powered Generators. Best Overall: Jackery Explorer 1000 Portable Power Station. Best Combo Of Power, Ports, And Charging Speed: EcoFlow Delta Portable Power Station. Best



Battery Backup vs. Generator: Which is Right for You?

Battery Backup: Battery backup systems generally require less maintenance than traditional generators. They do not have moving parts, which minimizes the wear and tear common in mechanical systems. However, it is important to monitor the health of the batteries and ensure that the connections and components of the electrical system are in good condition.

The Enphase Energy System: What are its components and ...

IQ8 Microinverters are Enphase's newest and most powerful inverters to date and allow for solar-only backup in the event of an outage while the sun is shining. The Enphase ...



Complete Off-Grid 6000 Watts Solar Kit

Whether you're looking to run your RV, off-grid home/cabin, or for an emergency backup solar system at your home, the HBK-6 solar kit comes with everything you need to get off the grid in just hours! Using the Growatt MPV 6KW unit, you will have 120 or 240V



Solar Panels and Generators: Adding a Whole Home ...

Backup Power with Generators. Generators act as a reliable contingency plan, providing power during periods of low solar production or when the grid fails. They come in several types, with gas and propane generators ...



[Solar Power System with Generator Backup](#)

We have seen this time and time again, so we wanted to point out a correct way to integrate a grid-interactive solar energy system with a new whole-home generator. Whether ...

What Size Solar Generator Do You Need to Run a Whole House?

may be necessary to supplement your solar generator's output and storage capacity with grid-tied power or a backup generator during periods of low sunlight or high energy usage. Many companies offer modular solar generator systems that can run a tiny





Off-grid Solar System with Generator Backup

An off-grid solar system with generator backup offers a reliable and sustainable solution for those seeking independence from the grid. By harnessing the power of the sun and incorporating a backup generator, individuals can enjoy continuous and eco-friendly energy in various settings, ...

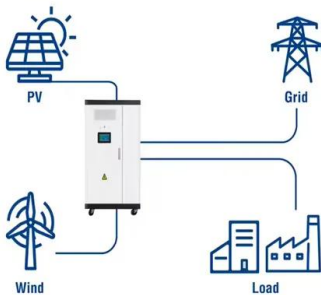


Off-Grid Solar Systems Integration with Backup Generators and 2 ...

- Hybrid Systems: Hybrid systems combine solar power with backup generators to optimise fuel usage. During sunny periods, the solar system powers the load and charges the batteries. When solar output is insufficient, the generator kicks in, reducing overall fuel consumption and extending the generator's lifespan.



Utility-Scale ESS solutions

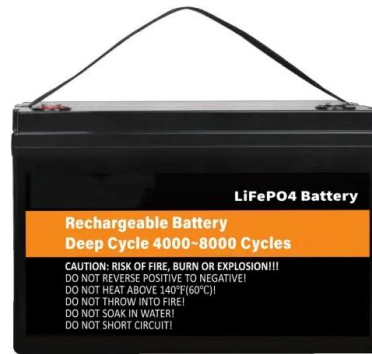


A Complete Guide to Solar Automatic Transfer Switch

Test automatic transfer switch by disconnecting the power from your solar system and making sure that the switch properly transfers the power to your backup generator. With most models of a solar battery or solar panel automatic transfer switch, the installation process is relatively simple and can be done by anyone with basic electrical knowledge.

How to Design a Solar + Battery Backup System

A typical solar battery backup system includes solar panels, power optimizers or microinverters, a solar battery, a solar inverter, and a critical load subpanel. Let's break down their roles: Solar panels : These capture sunlight and convert it into electricity.



Auto Start Generators For Solar Backup Power , My ...

So just to be clear; for Solar set ups, you'll need a 2-wire auto start controller to go with your auto-start generator (either an additional accessory, or built in to the auto start generator). For direct automatic back up ...



On Grid [Grid tie] Solar Power Plant with Generator backup

Grid Tie solar power plant can generate electricity in sync with generator of any type with the help of export limiter The two main part of an on-grid solar power plant is solar panels, on-grid [grid tie] solar inverter. And these PV plants are suitable for areas with low or



Buy Generators For Solar Backup , My Generator

My Generator provides Australia's largest online collection of power generators, 3 phase, 240v, and RV generators from premium brands like Dometic, Honda and Yamaha. Power Products Direct with Free Delivery. Call now 1300 400 122





Solar Panels and Generators: Adding a Whole Home Battery System

In the pursuit of energy resilience and sustainability, homeowners are increasingly turning to integrated solutions that harness the power of solar panels, generators, and advanced battery systems. This article explores the seamless synergy of solar panels and generators, emphasizing the pivotal role that a whole home battery system plays in creating a ...



Powerwall

With a fully integrated solar inverter, Powerwall can efficiently store solar energy and convert it into electricity to power your home. This means you can capture more of the solar energy your system is already generating during the day and ...

How to Combine Solar Batteries with Existing Generators!

Benefits of a solar battery system Solar battery systems offer numerous benefits for homeowners. First and foremost, they provide backup power during outages, ensuring that essential appliances and devices can still be used. This is particularly important in



Best Solar Generator For Home Backup - 6 Options ...

Best Solar Generator For Home Backup Summary
Best overall: EF ECOFLOW DELTA Pro Best Budget: EF ECOFLOW Delta Max (1600) Best Whole House: BLUETTI AC300 Best for Off-Grid Living: Bluetti AC200Max ...



Why You Should Consider a Solar Power Generator ...

1. Emergency Home Power One of the main reasons you might consider a solar-powered generator is if you live in an area that experiences frequent blackouts or inclement weather and are looking for a home backup ...



Best 240V Solar Generators 2024: Top Picks, Reviews & Guide

The EcoFlow Delta Pro is one of our favorite high-capacity, high-output portable solar generators. It's a great pick for anyone shopping for a home backup or off-grid solar generator. The Delta Pro packs a 3600Wh LiFePO4 battery with a lifespan of over 6500 cycles.



How to Pick a Solar Panel and Battery Backup System

With increasingly intense weather knocking the power grid offline for days at a time in some regions, traditional fossil-fuel-based backup systems--namely portable or permanent generators



Combining Systems with Powerwall , Tesla Support

Adding energy storage to your solar system is the best way to maximize your system's value In an outage, Powerwall responds immediately and provides backup power before the generator can detect the outage. The generator is turned on only when the



Our 8 Best Solar Generator Picks (2024)

Backup solar generators provide backup power for when an electrical grid fails, providing an efficient alternative for installing a complete system. Backup solar generators provide enough power to turn on appliances such as refrigerators, washing machines, televisions, and more in the event of a blackout.



The 8 Best Solar Batteries of 2024 (and How to Choose the Right ...

Drawbacks: To be honest, we're having trouble finding a drawback to this battery option! LG RESU Prime Quick facts: DC-coupled Lithium-ion Solar self-consumption, time-of-use, and backup capable What we like: With 97.5% roundtrip efficiency, the LG RESU Prime appears to be the most efficient solar battery on the market.

8 Best Solar-Powered Generators 2024

For home backup, Bluetti's AC200L is a powerful solar generator that allows you to stay off-grid while keeping appliances running. This is an update of the AC200MAX, which has a quieter



Contact Us

For catalog requests, pricing, or partnerships, please visit:
<https://www.vdbconstruction.co.za>