



VDB Solar Solutions

The development history of microgrids in my country



IP65/IP55 OUTDOOR CABINET

WATERPROOF OUTDOOR CABINET

42U/27U

OUTDOOR BATTERY CABINET





Overview

Why is micro-grid important in China?

Micro-grid is becoming an important aspect of future smart grid, which features control flexibility, improved reliability and better power quality. This paper conducts an overview of research and development of micro-grids in China. There are abundant renewable resources in China, which can benefit the development and application of micro-grids.

Where did research on Microgrid technology start?

Research on microgrid technologies started relatively late in China. Compared with the huge research teams composed of research institutions, manufacturers and power companies in developed countries and regions such as Europe, the United States, and Japan, there is still a big gap in research strength and research results in China.

When was the first microgrid built?

According to Pike Research, the first “modern industrial microgrid in the United States was a 64 MW facility constructed in 1955 at the Whitling Refinery in Indiana,” but most people are not aware the concept is much older. The microgrid concept dates back to the beginning of our industry.

What is the future development direction of microgrids in China?

The future development direction of microgrids in China will therefore be towards an energy system that integrates electricity, gas, water, and heat resources, achieves mutual coupling, and solves the problems of efficient energy utilization and peak regulation .

What is a microgrid?

A microgrid is a mini-version of the electric grid, which fits the “micro” notion, but the origins of the word have been lost in history.



What role will microgrids play in the future power grid?

As an important part of the smart grid of the future, microgrids will play an important role in the future power grid by taking advantage of its strengths such as accommodation of diversification of energy forms, flexibility of grid connection interfaces, customization of power quality, and bi-directional energy information flow.



The development history of microgrids in my country

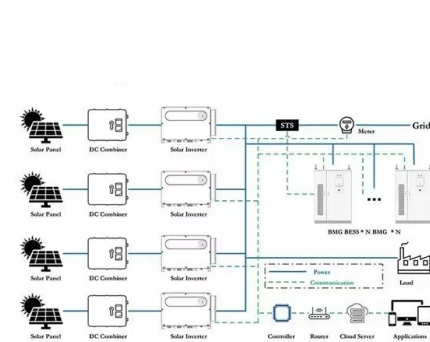


The Rise of Microgrids: Empowering Energy Independence in the ...

Microgrids are playing a pivotal role in the UK's transition towards a low-carbon economy. By facilitating the integration of renewable energy sources, these systems not only ...

WHITE PAPER Microgrid Innovation in the Circumpolar Arctic

the country, and the rest of the world, moved in this direction. When measured in terms of installed capacity, Alaska ranks No. 1 in the US as of 2Q 2019. Alaska also has one of the ...



Microgrids: A review, outstanding issues and future trends

This paper presents a review of the microgrid concept, classification and control strategies. Besides, various prospective issues and challenges of microgrid implementation ...

Microgrids: A review, outstanding issues and future trends

The Consortium for Electric Reliability Technology Solutions (CERTS) and the MICROGRIDS project, respectively, initiated a systematic research and development various ...



Microgrids: Impact on the Development of Sustainable

Various types of microgrids can be identified with region, country, and market-specific differences. Microgrids vary from small systems based on the resources of an ...



Fundamentals of Microgrids: Development and Implementation

Fundamentals of Microgrids: Development and Implementation. is about the structure of successful technological systems and how microgrids offer solutions for the future of local ...



Philippine Government Awards Contract for the Development of ...

"Microgrids are a critical infrastructure for the electrification of our rural communities," said Sen. Win Gatchalian, the principal author of the Microgrid Systems Act. He ...



Recent advancements on the development of microgrids

With high penetration of distributed energy resources (DERs) into power systems, microgrid has showed great advantages of enabling efficient and reliable operation of distribution grids with ...



(PDF) A Review of Optimization of Microgrid Operation

Microgrids are a key technique for applying clean and renewable energy. The operation optimization of microgrids has become an important research field. This paper ...

A review of microgrid development in the United States - A ...

Microgrids have become increasingly popular in the United States. About 34% of the world's microgrid projects are located in the United States and North America area - ...



[American Microgrid Policy Development](#)

There has been a substantial evolution in American microgrid development in the early 2020s. Landmark events such as the COP 28 conference and the passing of Biden's IRA have demonstrated how prioritizing renewable energy ...



The Story of Microgrids: A Historical Perspective

Early Renewable Microgrids
Wales, Alaska
Remote community on the Bering Strait
o A little bit of storage goes a long way
o Small high-power battery
o Excess wind used for heating and hot ...

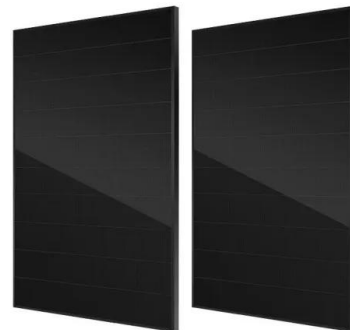


Integration of Microgrids and Electric Vehicle Technologies in the

Frontiers in Energy Research, 2021. The symbiosis between smart minigrids and electric mobility has the potential to improve the cost and reliability of energy access for off-grid communities ...

[An Introduction to Microgrids: Benefits](#)

In addition, there is a growing interest in microgrids from businesses and investors, who are recognizing the benefits of this technology and investing in its development and implementation. This investment will help to overcome the ...



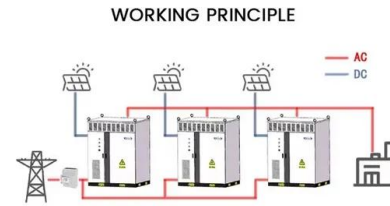
History of microgrids in the US: From Pearl Street to ...

While it may seem that microgrids are new, the history of microgrids shows they have been around in some form for years in the US -- although they haven't always been called microgrids. The first one was ...



Microgrids in Europe , Clean Energy Microgrids

In this section, we analyse what could be expected of microgrids in the years to come in Europe. As it has been seen, numerous successful projects have been developed in ...



Microgrids: A review of technologies, key drivers, and outstanding

These remote microgrids are leveraging the same advances in power electronics, information and communications technologies, and distributed energy resources that are ...

MICROGRIDS FOR ELECTRICITY GENERATION IN CHINA

In this Special Report, Yang Dechang summarizes current research on and deployment of microgrids in China, including an overview of the history of microgrids in China, ...



Fundamentals of Microgrids , part of The Economics of Microgrids

In this chapter, an introduction to microgrid, including its history, basic concepts, and definitions, is presented. Next, the functions of distributed energy resources in microgrids including the ...



Empowering Energy Evolution: The rise of microgrid

In the ever-evolving tapestry of modern electricity grids, microgrids emerge as dynamic and resilient contributors, reshaping the narrative of energy distribution. The inception ...



A review of microgrid development in the United States - A ...

Section snippets Introduction and background. Microgrids have become increasingly popular in the United States. About 34% of the world's microgrid projects are ...

Microgrids: Impact on the Development of Sustainable

Microgrids can also improve the resource efficiency of the energy system as a whole and offer several technical benefits for its operation (Vine and Morsch 2017; see section ...



Microgrids: A review of technologies, key drivers, and outstanding

Systematic research and development programs [10], [11] began with the Consortium for Electric Reliability Technology Solutions (CERTS) effort in the United States ...



FutureGrid: Use of Microgrids in Underserved Communities

Rural electrification in developing countries--especially Sub-Saharan Africa--has trailed urban development drastically. The extreme costs associated with ...



MICROGRIDS FOR ELECTRICITY GENERATION IN THE REPUBLIC ...

2 INTRODUCTION In this Special Report, Woohyun Hwang describes the current status and recent development of microgrids based on renewable energy sources and ...

Overview on Micro-grid Technology Research , SpringerLink

The development and extension of microgrids can facilitate the large-scale intervention of distributed power generation and renewable energy, and promote the transition ...



Microgrids

Microgrids are electric power systems that let a community make its own power without drawing from the larger electric grid. During an emergency, microgrids can disconnect from the wider grid, keeping the lights ...



(PDF) Overview of Current Microgrid Policies, ...

Continuously increasing demand of microgrids with high penetration of distributed energy generators, mainly renewable energy sources, is modifying the traditional structure of the electric

LFP12V100



(PDF) Microgrids: Impact on the Development of Sustainable ...

The world has embarked on a road to sustainable energy production. As a result, countries have turned to microgrid developments. This article aims to study the feasibility of ...



The Power of Microgrids in the Global Energy ...

For years, these grids have relied on diesel-based, centralized generation to supply electricity to residents and businesses. This is changing. Now, many isolated microgrids are leading the way in energy transitions to ...



Smartgrids/Microgrids in India: A Review on Relevance, Initiatives

Development of microgrids and distributed generation. (iii) It will seek to promote RE generation as well as its seamless integration. India Country Report. Research, ...





Addressing the Challenge of Climate Change: The Role of Microgrids ...

As anthropogenic activities continue to increase, the impacts of climate change are becoming more evident. Fossil fuel-dependent energy sources play a significant role in the ...



Recent advancements on the development of microgrids

Integrating renewable energy sources into microgrids is of great interest for demand-side management. The process involves large number of variables and constraints ...

Contact Us

For catalog requests, pricing, or partnerships, please visit:
<https://www.vdbconstruction.co.za>