

The whole story of the photovoltaic panel incident





Overview

Did solar panels catch fire?

Seven of 240 stores in which solar panels were installed on roofs caught fire. Resulting in multiply fires across the US Systematic negligence in operating, installing and maintaining the solar system by the producer company Ichihara, Japan2019 (NEWS).

Did solar panels cause a fire in Anglesey?

On 18 September 2023, a major fire related to solar panels broke out at a bungalow in Anglesey. Firefighters from the North Wales Fire and Rescue Service attended the property fire, which is part of an independent living complex run by Clwyd Alyn Housing, and later confirmed it had been caused by an electrical fault.

How did a fire affect a solar PV system?

A localised fire caused damage to areas surrounding the point of origin of the fire, mainly affecting PV system components. However, the fire did not spread beyond that or threaten the building.

Did a solar panel fire cause a blaze in London?

We didn't have home insurance so we don't know where to go from here." A London Fire Brigade spokesperson confirmed the blaze involved a solar panel and said the blaze was believed to be accidental.

Can photovoltaic systems cause a new fire safety challenge?

They can, however, cause a new intractable challenge, i.e., fire safety. This paper presents a state-of-the-art review of the increasing number of scientific studies on photovoltaic system fire safety.

Can a PV panel system report a fire incident?



As highlighted by various authors, a PV fire incident is a complex and multi-faceted topic that cannot be simplified to a single variable causing a single outcome. To begin with, our analysis shows that currently, there is no appropriate system for reporting and recording fire incidents involving or initiated by a PV panel system.



The whole story of the photovoltaic panel incident

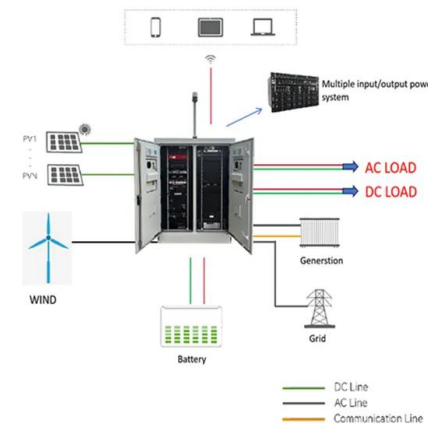


ENERGY YIELD OF PHOTOVOLTAIC PANELS AND ANGLE OF ...

The amount of solar energy is expressed in the form of global incident energy on a horizontal surface. Global daily irradiation energy is denoted by G (see Figure C.5). If the PV panels are ...

Investigating the effect of the frequency of incident light on the

incident on the solar panel may play a major role in affecting the optimum usage of the technology. Moreover, this study aims to establish the link between the frequency of incident ...



Fears over solar panel safety as number of fires rises six-fold

Fears over solar panel safety as number of fires rises six-fold. Exclusive: The rate has increased sharply with 66 fires already recorded up until July this year compared with ...

59 Solar PV Power Calculations With Examples Provided

46. Solar Panel Life Span Calculation. The lifespan of a solar panel can be calculated based on the degradation rate: $L_s = 1 / D$. Where: L_s = Lifespan of the solar panel (years) D = ...



ESS



(PDF) Environmental Impacts on the Performance of Solar Photovoltaic

The optimal installation of photovoltaic power plants depends on the geographical location, which determines the irradiation, latitude, longitude, tilt angle, direction, ...



Solar panel fires on the rise leading to fire safety worries

An exclusive report from The Independent has revealed that the number of solar panel fires has risen sharply in 2023 compared to previous years, leading to mounting concern ...



Estimation Of Radiation Incident On Bifacial Albedo-Collecting Panels

Download full-text PDF Read full-text. It is shown that in some cases an increase in annual radiation incident on bifacial photovoltaic panels of nearly 70% can be ...





A Review for Solar Panel Fire Accident Prevention in ...

A Review for Solar Panel Fire Accident Prevention in Large-Scale PV Applications. July 2020; IEEE Access PP(99):1-1; Download full-text PDF Read full-text. Download full-text PDF. Read full-text.



Outdoor comparison of two organic photovoltaic panels: The effect ...

The three pyranometers were attached in the following locations: 1- fixed on the frame next to the panel, to measure the incident irradiance from above, 2- fixed to the rear ...

Fire and Solar PV Systems - Investigations and Evidence

Over the past few years, there have been a number of media reports linking photovoltaic power systems (PV) with fire. With the prevalence of PV systems now in the UK, an increase in



[Figure 1: Scene of the accident.](#)



On 12 June 2023, a group of workers was deployed to install solar panels on the rooftop of a building. During the installation, one of the workers noticed an exposed cable arcing and ...



A state-of-the-art review of fire safety of photovoltaic systems in

This paper set out to review peer reviewed studies and reports on PV system fire safety to identify real fires in PV panel systems and to notice possible errors within PV ...



APPLICATION SCENARIOS



Spatial estimation of the optimum PV tilt angles in China by

Here, we investigate the power yield gains under different adjustment schemes, including horizontally fixed (PV panel is fixed horizontally), optimally tilted (PV panel is fixed at ...

THE EFFECT OF SOLAR IRRADIATION ON SOLAR CELLS ...

The challenge of solar panel installers in determining the tilt angle needed to obtain optimal performance from the photovoltaic panels was the focus of this paper.



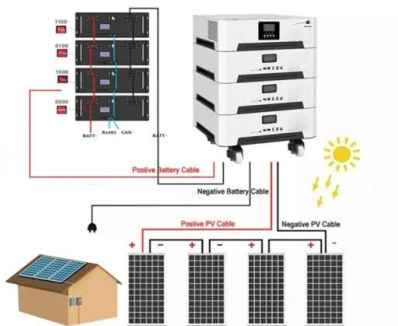
Existing evidence on the effects of photovoltaic panels on ...

At the community level, Graham et al. found that plant bloom timing was delayed under partial shade from PV panels while floral abundance increased but pollinators ...



Effect of Solar ILLuminance (or Intensity) on Solar (Photovoltaic) cell

Gamma or X-ray particles may be incident on the photovoltaic panel. Solar illuminance (or intensity) against Solar panel Outputs (Day 2) The factors are the distance of the solar ...



Photovoltaics and fire , Fire Protection Association

Whether responding to a solar panel fire, a fire at a structure featuring solar panels, attending to storm damage, or encountering a property that has a faulty or substandard solar system installed, solar panels pose a serious ...

(PDF) A new correlation between photovoltaic panel's efficiency ...

The accumulation of dust particles on the surface of photovoltaic (PV) panel greatly affects its performance especially in the dusty areas. In the present work, an experimental and theoretical



Method to Calculate the Electricity Generated by a Photovoltaic ...

This paper presents a practical method for calculating the electrical energy generated by a PV panel (kWhr) through MATLAB simulations based on the mathematical ...



Average daily solar irradiation incident on the PV surface, and the

Further, identified the deposition of dust particles on PV panels is gradually increased from clean-day to dusty-day, and this is relatively enhanced with higher level at commercial area than city



What is the real fire risk from solar panels?

The risk of a solar panel catching fire is still very low, but it's not zero. Solar panel fires can be caused by improper installation or maintenance, arc faults and faulty wiring or from extreme weather events, such as hail or ...



Fears over solar panel safety as number of fires rises ...

Fears over solar panel safety as number of fires rises six-fold. Exclusive: The rate has increased sharply with 66 fires already recorded up until July this year compared with 63 for whole of 2019



Poole Travelodge evacuated after solar panel fire

Hotel customers had to be evacuated after a fire involving solar panels broke out on the roof. Firefighters were called to the Travelodge in Waterloo Road, Poole, on Sunday at 14:24 GMT.



Mother's terror as fire sparked by solar panels destroys council home

A London Fire Brigade spokesperson confirmed the blaze involved a solar panel and said the blaze was believed to be accidental. They said firefighters had used PVStop, a ...



A review on developments and researches of building ...

Jeong et al. [100] introduced a novel smart PV blinds called Smart Photovoltaic System Blind (SPSB), which consist of PV panels, a monitoring device and tracking system, ...

Dalston Lane fire: Solar panels missing from risk assessment

A fire risk assessment (FRA) of a block of flats in east London whose roof was gutted after a blaze, damaging 36 homes, failed to declare solar panels had been installed at ...



Effect of solar radiation on photovoltaic cell

Photovoltaic (PV) power generation is the main method in the utilization of solar energy, which uses solar cells (SCs) to directly convert solar energy into power through the PV effect.



Photovoltaic Modeling: A Comprehensive Analysis of the I-V

The I-V curve serves as an effective representation of the inherent nonlinear characteristics describing typical photovoltaic (PV) panels, which are essential for achieving ...



- Voltage range: 691.2-947.2V
- >6000 cycles (100%DOD)
- Rated battery capacity: 216KWh (customizable)
- EMS communications: 4G/CAN/RS485

The effect of rain on photovoltaic systems

In other research fields, several works can be found about the effect of rainwater drops on leaves [16, 17] or on other surfaces in presence of incident solar radiation [18], but ...

State-of-the-Art Technologies for Building-Integrated Photovoltaic Systems

Advances in building-integrated photovoltaic (BIPV) systems for residential and commercial purposes are set to minimize overall energy requirements and associated ...



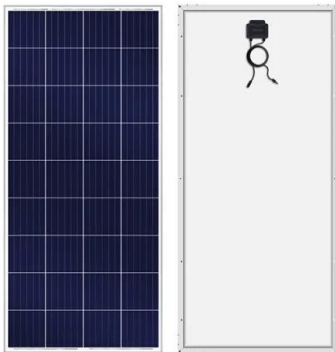
Understanding PV System Losses, Part 4: Solar Panel ...

Click above to download our full guide to PV system losses. Solar Panel Tilt & Orientation. panels at a tilt equal to the latitude of the installation and facing towards the equator will maximize the amount of incident irradiance on the ...



New solar cells break efficiency record - they could ...

The new record-breaking tandem cells can capture an additional 60% of solar energy. This means fewer panels are needed to produce the same energy, reducing installation costs and the land (or roof



Investigation of the Effect Temperature on Photovoltaic (PV) Panel ...

Download full-text PDF Download full-text PDF
Read current of PV panel generated with more incident energy . The solar panel performance is investigated with ...

Contact Us

For catalog requests, pricing, or partnerships, please visit:
<https://www.vdbconstruction.co.za>