

Trina Solar photovoltaic panel date





Overview

Founded in 1997, Trina Solar's solar panel technology has set a world record or two (or 26). The company's most recent breakthrough panel achieved a maximum power output of 740.6 Watts. How did Trina Solar perform in 2023?

Trina Solar says its solar panel shipments reached 65.21 GW in 2023. The Chinese module maker achieved a turnover of \$15.75 billion and a net profit of \$768.2 million in fiscal 2023, with an annual module production capacity of 95 GW by the end of December. Trina Solar said it recorded \$15.75 billion of revenue in 2023, up 33.32% year on year.

Is Trina Solar a good solar company?

As one of the leading solar photovoltaic manufacturers in the world, Trina Solar delivers a smart, industry leading solution for year energy needs. Ranked as one of the world's most bankable solar manufacturers by Bloomberg New Energy Finance, Trina Solar is the manufacturer you want for your solar panels.

How does Trina Solar work?

Trina Solar uses multiple busbars on a single panel, further improving performance. PERC: Passivated Emitter and Rear Contact (PERC) solar cells include a back surface layer that reflects light back through the cell, reduces heat absorption, and reduces electron recombination, all of which improve panel efficiency.

What is Trina Solar's production capacity?

Trina Solar's production capacity across polysilicon wafers, solar cells, and PV modules stood at 55 GW, 75 GW, and 95 GW, respectively, by the end of 2023. N-type TOPCon cells accounted for 40 GW of its solar cell capacity.

How powerful are Trina Solar panels?

The company's most recent breakthrough panel achieved a maximum power



output of 740.6 Watts. Alas, you won't be able to install those on your roof, but the residential panels are still adequately powerful. Trina Solar currently offers two solar panel lines for residential solutions in the U.S.: the Vertex S/S+ and the Residential line.

Are Trina Solar panels available at CCL?

Trina Solar panels available at CCL at top prices, Trina Solar Vertex S and more. Browse today.



Trina Solar photovoltaic panel date

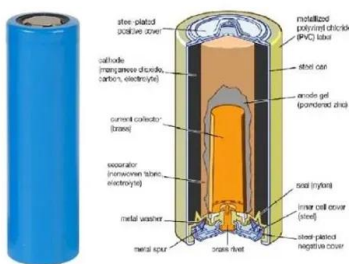
JinkoSolar, Trina say TOPCon modules outperform p-type back-contact panels

From pv magazine Global. Chinese solar module manufacturers JinkoSolar and Trina Solar have each published white papers this week that demonstrate their TOPCon ...



Trina Solar Panels: An Independent Review by Solar ...

Independent Testing of Trina Solar Panels by PV Labs Australia. In late 2023, PV Labs Australia completed some independent testing of solar panels which way paid for by the ACT Government. Panels are ...



Trinasolar produces world's first fully recycled c-Si module, a

To date, Trinasolar has delivered more than 225 GW of solar modules worldwide. In addition, Trina's downstream business includes solar PV project development, ...

Solar Panel Success Stories and Project Deployments

The project has a total installed capacity of 100kW, all using Trina Solar 580W series photovoltaic modules, which is expected to generate 91,000 kWh of electricity per year, reducing carbon ...



Trina Solar powers New Zealand's largest solar farm with ...

Trina Solar, a global leader in smart PV and energy storage solutions, has announced the successful completion of the Kohira solar farm in collaboration with Lodestone ...



Are Trina solar panels the best solar panels to buy?

Founded in 1997, Trina Solar develops proprietary smart PV solutions for large power stations as well as commercial and residential solutions, energy storage systems and ...



Solar Panels, Solar Energy and Panel Manufacturers , Trina Solar

A trailblazer in solar since 1997. With over 205 gigawatts shipped worldwide and counting, Trina's photovoltaic panels and solar system components provide clean, affordable and reliable ...





Solar Panel Success Stories and Project Deployments , Trina Solar

The solar power (PV) system on the roof of the Bavarian State Chancellery uses efficient Trina solar modules of the type TSM-PC05. It proves that modern solar technology is also suitable ...



Solar Panel Success Stories and Project Deployments

Using Trina Solar Panels, Black Hills State University is on track to generate 1.3 MWh of power annually, and the campus will be powered by 78% renewable energy. representing the ...

Trina Solar ZA: Solar for Home, Commercial & Utility

A trailblazer in solar since 1997. With over 205 gigawatts shipped worldwide and counting, Trina's photovoltaic panels and solar system components provide clean, affordable and reliable ...



60 CELL 270-285W 0/+5W

Founded in 1997, Trina Solar is the world's leading comprehensive solutions provider for solar energy. We believe close cooperation with our partners is critical to success. Trina Solar now ...



Solar Panels and Solar Suppliers

A trailblazer in solar since 1997. With over 205 gigawatts shipped worldwide and counting, Trina's photovoltaic panels and solar system components provide clean, affordable and reliable ...

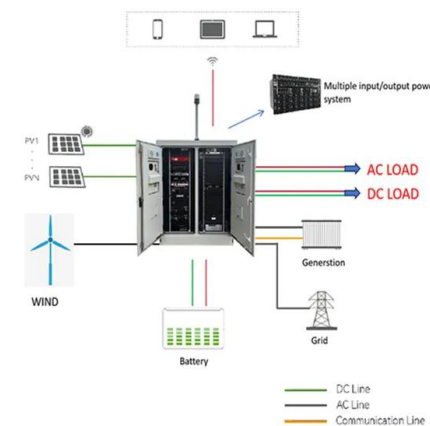


Trina Solar (panele fotowoltaiczne)

Panel Trina Solar - wydajność . Elementum PV; Solar Invest Group; Manitu Solar; Telefony pomocy technicznej: phone +48 603 192 902 - instalacje komercyjne, mikroinstalacje; phone ...

Trina Solar , Vertex 600W TSM-DE20

600W+ Photovoltaic Open Innovation Ecological Alliance The 600W+ Photovoltaic Open Innovation Ecological Alliance was announced on 14 July - a formation of 39 firms that aims to create a new collaborative and innovative ...



51.2V
200Ah/300Ah
LiFePO4 battery

Solar Panel Company & Solar Energy Information

Trina Solar's experience, high-quality products and technological innovations have propelled us to be the leading photovoltaic module manufacturer in the world. Cookie Settings. Toggle navigation To date, Trinasolar has broken ...



Solar Panel Success Stories and Project Deployments

An ambitious project to generate clean energy on a large scale using Trina Solar solar panels on the shade canopy over parking areas at the SEAT factory in Martorell. representing the ...



Solarmodule, Solarenergie und Modulhersteller , Trina ...

Von Bloomberg New Energy Finance als einer der weltweit vertrauenswürdigsten Hersteller von Solarmodulen eingestuft, ist Trina Solar der Anbieter, den Sie sich für Ihrer Solarmodule wünschen.

US Manufacturing

Trina Solar has announced it will build a more than 1 million square foot solar photovoltaic (PV) manufacturing facility in Wilmer, Texas. The company is investing more than \$200 million in ...



Solar Panel Company & Solar Energy Information

Trina Solar's experience, high-quality products and technological innovations have propelled us to be the leading photovoltaic module manufacturer in the world. Toggle navigation search ...



Solar Panel Company & Solar Energy Information , Trina Solar

Founded in 1997, TrinaSolar Co., Ltd. (stock symbol: TrinaSolar; stock code: 688599) is mainly engaged in PV products, PV systems and smart energy. PV products include R& D, production ...



Contact Us

For catalog requests, pricing, or partnerships, please visit:
<https://www.vdbconstruction.co.za>