

# What is the largest satellite in our solar system



**2MW / 5MWh  
Customizable**





## Overview

---

Of the Solar System's eight planets and its nine most likely dwarf planets, six planets and seven dwarf planets are known to be orbited by at least 300 natural satellites, or moons. At least 19 of them are large enough to be gravitationally rounded; of these, all are covered by a crust of ice except for Earth's Moon and Jupiter's.

, the smallest and innermost planet, has no moons, or at least none that can be detected to a diameter of 1.6 km (1.0 mi). For a very short time in 1974, Mercury .

- Media related to at Wikimedia Commons .

• • • • • .

Ganymede, or Jupiter III, is the of , and in the . Despite being the only moon in the Solar System with a substantial , it is the largest Solar System object without a substantial atmosphere. Like 's largest moon , it is larger than the planet , but has somewhat less than Mercury, .

What are the 7 largest natural satellites in the Solar System?

The seven largest natural satellites in the Solar System (those bigger than 2,500 km across) are Jupiter's Galilean moons (Ganymede, Callisto, Io, and Europa), Saturn's moon Titan, Earth's moon, and Neptune's captured natural satellite Triton. Triton, the smallest of these, has more mass than all smaller natural satellites together.

What is a satellite in astronomy?

A satellite is any moon, planet, or machine that is in orbit around a planet or star. Although satellites are typically associated with the man-made spacecrau001fft that orbit our Earth, there are far more satellites in our solar system. Most of these are natural satellites, or moons, that can be found orbiting other planets.

What is the largest irregular shaped natural satellite?



Neptune's moon Proteus is the largest irregularly shaped natural satellite; the shapes of Eris' moon Dysnomia and Orcus ' moon Vanth are unknown.

How many natural satellites are there?

Natural satellites are colloquially referred to as moons, a derivation from the Moon of Earth. In the Solar System, there are six planetary satellite systems containing 288 known natural satellites altogether.

What is a natural satellite?

A natural satellite is, in the most common usage, an astronomical body that orbits a planet, dwarf planet, or small Solar System body (or sometimes another natural satellite). Natural satellites are colloquially referred to as moons, a derivation from the Moon of Earth.

What is the largest moon in the Solar System?

Among them is Ganymede, the largest and most massive moon in the Solar System. Its 87 known irregular moons are organized into two categories: prograde and retrograde. The prograde satellites consist of the Himalia group and three others in groups of one. The retrograde moons are grouped into the Carme, Ananke and Pasiphae groups.



## What is the largest satellite in our solar system

---



### The largest natural satellite in our solar system belongs to

Q. Name these - (a) Birth place of stars (b) Biggest planet in the solar system (c) The galaxy which is our neighbour. (d) Brightest planet in the solar system (e) Planet with largest number of satellites (f) Planets without a single satellite (g) Planet with a rotation

### Ganymede: A guide to the largest moon in the solar system

Ganymede is the primary target for the European Space Agency's (ESA's) Jupiter icy moon explorer mission (JUICE) that launched on April 14, 2023, at 8:14 a.m. EDT (1214 GMT) and is expected to



### In Depth , Earth's Moon - NASA Solar System Exploration

The brightest and largest object in our night sky, the Moon makes Earth a more livable planet by moderating our home planet's wobble on its axis, leading to a relatively stable climate. It also causes tides, creating a rhythm that has guided humans for thousands of years.

### In Depth , Moons

There are hundreds of moons in our solar system - even asteroids have been found to have small companion moons. Of the terrestrial (rocky) planets of the inner solar system, neither Mercury nor Venus have any moons at all, Earth has one and Mars has its two small moons.



- LIQUID/AIR COOLING
- INTELLIGENT INTEGRATION
- PROTECTION IP54/IP55
- BATTERY /6000 CYCLES



### What Is The Largest Planet In The Solar System?

Saturn is the second-largest planet in our solar system, with a diameter of 120,660 kilometers, or about 9.5 Earths across. By volume, you could fit 764 Earths inside Saturn. By mass, Saturn is 95 times the mass of Earth. The reasons behind Saturn becoming

### Mighty Jupiter moon Ganymede pictured in close-up

The American space agency's Juno probe has returned some close-in views of Ganymede - one of Jupiter's four Galilean moons and the largest natural satellite in the Solar System. The imagery



### Natural satellite

The Pluto-Charon system is unusual in that the center of mass lies in open space between the two, a characteristic sometimes associated with a double-planet system. The seven largest natural satellites in the Solar System (those bigger ...





## Jupiter

Jupiter is a world of extremes. Jupiter is the largest planet in our solar system. If Jupiter was a hollow shell, 1,000 Earths could fit inside. Jupiter also is the oldest planet, forming from the dust and gases left over from the Sun's formation 4.5 billion years ago. But it



### DETAILS AND PACKAGING



- 1 USER MANUAL PDF
- 2 RJ45 Cable For RS485/CAN
- 3 Battery in Parallel Cables
- 4 RJ45 TO USB Monitor Cable
- 5 M8 Terminal\*4

### [What is a satellite? , Space](#)

The ISS is the biggest satellite in orbit, and took over a decade to construct. Piece by piece, 15 nations contributed. Many planets and worlds in our solar system have human-made "moons" as

## In Depth , Pluto

Charon, the biggest of Pluto's moons, is about half the size of Pluto itself, making it the largest satellite relative to the planet it orbits in our solar system. It orbits Pluto at a distance of just 12,200 miles (19,640 kilometers).



## What Is the Solar System?

The solar system is located in one of the spiral arms of the Milky Way galaxy. It was born about 4.5 billion years ago when a cloud of interstellar gas and dust collapsed. Most of the material was pulled toward a central point: nearly all of the solar system's mass--99.8%--is in the Sun .



## Jupiter: A guide to the largest planet in the solar system

Ganymede is the largest moon in our solar system, and is larger than both Pluto and Mercury. It is also the only moon known to have its own magnetic field, whose eerie sound NASA's Juno mission



### [List of natural satellites by size](#)

Below is a list of moons in the solar system, based on size. This list features natural satellites from each planet. Non-direct measurements of moons, especially small and far away moons can give inaccurate measurements, making this list potentially unreliable. Take some of ...

## Ganymede

Ganymede is the largest natural satellite in our Solar System, bigger than the planet Mercury. Although it is bigger than Mercury, it is less dense, with a mean radius of 1,635 miles (2,631.2 km). The natural satellite has a liquid core of iron.



## Not That Small: Ranking the 10 Largest Moons in Our Solar System ...

This second-largest moon of Jupiter and the third-largest moon in our solar system is about the same size as Mercury and was discovered with the other Galilean moons in 1610. Despite being previously described as an "ugly duckling moon" and a boring "hunk of rock and ice", its crater-covered surface which didn't seem to have much going on was actually ...



### In Depth , Titan - NASA Solar System Exploration

Introduction Saturn's largest moon, Titan, is an icy world whose surface is completely obscured by a golden hazy atmosphere. Titan is the second largest moon in our solar system. Discovered March 25, 1655 Type Icy Moon Diameter 3,200 miles (5,149.4



### In Depth , Triton

Discovery Triton was discovered on Oct. 10, 1846 by British astronomer William Lassell, just 17 days after Neptune itself was discovered. Overview Triton is the largest of Neptune's 13 moons. It is unusual because it is the only large moon in our solar system that

### How Big is the Moon? , Comparisons, Size, Facts & Information

Moons vary in size, shape, and composition, and our Moon is in the top 10 list of the biggest satellites in our Solar System. H The Moon is the only natural and permanent satellite of Earth. Some planets have two moons, like Mars, others have tens of moons, such as Jupiter, while the planet with the most moons is Saturn, which has 82 moons.



### NASA Is On A Moonhunt. Its First Stop Next Week Is ...

What's the largest moon in the Solar System? Bigger than the planet Mercury and not much smaller than Mars, Ganymede is about to be explored by a NASA spacecraft that will next week begin an



### In Depth , Sun - NASA Solar System Exploration

The Sun is the largest object in our solar system. Its diameter is about 865,000 miles (1.4 million kilometers). Its gravity holds the solar system together, keeping everything from the biggest planets to the smallest bits of debris in orbit around it.



### [Largest artificial satellite](#)

The largest artificial satellite is the International Space Station (ISS), the first components of which were launched on 20 November 1998. As of 22 December 2021, following the addition of the Russian Multipurpose Laboratory Module Nauka and the Prichal docking node, the ISS has a total mass of 418,190 kg (921,951 lb) - rising to 459,025 kg (1,011,976 lb) including docked visiting ...

### Moons: Facts

Jupiter's menagerie of moons includes the largest in the solar system (Ganymede), an ocean moon (Europa) and a volcanic moon (Io). Many of Jupiter's outer moons have highly elliptical orbits and orbit backwards ...



### What is the Biggest Satellite in Solar System?

In the grand tapestry of our solar system, Ganymede reigns supreme as the largest satellite, dwarfing even Pluto in its massive presence. This icy moon of Jupiter boasts a diameter of about 5,268 kilometers (3,273 miles), making it the biggest moon and a celestial body that has captured the imaginations of astronomers and enthusiasts alike.



### Ganymede (moon)

OverviewHistoryNameOrbit and rotationPhysical characteristicsOrigin and evolutionExplorationSee also

Ganymede, or Jupiter III, is the largest and most massive natural satellite of Jupiter, and in the Solar System. Despite being the only moon in the Solar System with a substantial magnetic field, it is the largest Solar System object without a substantial atmosphere. Like Saturn's largest moon Titan, it is larger than the planet Mercury, but has somewhat less surface gravity than Mercury, Io, ...



### [Ganymede , Facts & Features , Britannica](#)

Ganymede, largest of Jupiter's satellites and of all the satellites in the solar system. One of the Galilean moons, it was discovered by the Italian astronomer Galileo in ...

### Natural satellite

The seven largest natural satellites in the Solar System (those bigger than 2,500 km across) are Jupiter's Galilean moons (Ganymede, Callisto, Io, and Europa), Saturn's moon Titan, Earth's moon, and Neptune's captured natural satellite Triton.



### How Many Moons Does Jupiter Have , Biggest Moon In The Solar System

Being the largest planet in the Solar System, Jupiter has the second-largest number of moons. The first four of them - the Galilean moons - were



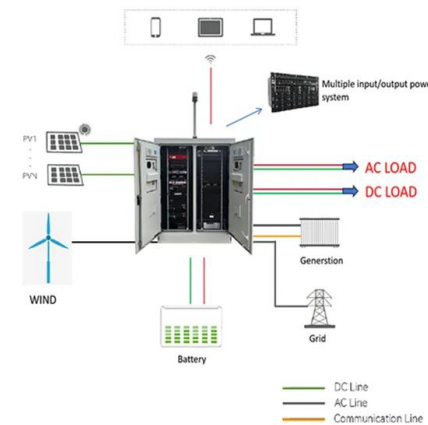
- ✓ LIQUID/AIR COOLING
- ✓ INTELLIGENT INTEGRATION
- ✓ PROTECTION IP54/IP55
- ✓ BATTERY /6000 CYCLES



discovered more than 400 years ago. Learn about the brightest comets observable from the Earth in 2024-2025. Some

### What is the Largest Moon in the Solar System?

Many people think that the answer to 'what is the largest moon in the Solar System' is our Moon. It is not. Our Moon is the fifth largest natural satellite. Ganymede, a moon of Jupiter, is the



### In Depth , Jupiter

Jupiter is the fifth planet from our Sun and is, by far, the largest planet in the solar system - more than twice as massive as all the other planets combined. Jupiter's stripes and swirls are actually cold, windy clouds of ammonia and water, floating in an atmosphere of hydrogen and helium.

## Contact Us

For catalog requests, pricing, or partnerships, please visit:  
<https://www.vdbconstruction.co.za>