

# What is the serial number of the photovoltaic panel assembly





## Overview

---

Where is the serial number on a PV module?

The serial number is the unique identifier of each PV module. A protected copy of the barcode is located on the front top-left corner under the glass and cannot be removed or damaged. The matching serial number is located on the frame and on the rear of the module.

How do I know if my PV modules have been shipped?

Before you unpack your modules, check the shipping label to ensure you received the right modules. Once you unpack your modules, check the module frame serial number and model label against the shipping label. The serial number is the unique identifier of each PV module.

What is UL Standard 1703 for photovoltaic modules & panels?

An addendum to UL Standard 1703 “Flat Plate Photovoltaic Modules and Panels” recommends metal combinations not exceed an electrochemical potential difference of 0.6 Volts. The frame rails have pre-drilled holes marked with a grounding sign. These holes should be used for grounding purposes and must not be used for mounting the modules.

What should I do if my PV module is broken?

Contact with module surfaces or frames may cause electric shock if the front glass is broken or the backsheet is torn. The PV module does not contain any serviceable parts. Do not attempt to repair any part of the module. Keep the junction box cover closed at all times. Do not disassemble a module or remove any module part.

Which materials should be used to install photovoltaic modules?

JA Solar recommends that when installing modules at the seaside, stainless steel or aluminum materials should be used to contact the photovoltaic modules, and the installation parts should be well protected from corrosion.



The tilt angle of the modules is measured between the surface of the modules and a horizontal ground surface.

What happens if a PV module reaches 30 volts?

Any contact of 30 V or larger DC Voltage can be fatal. In case of no connected load or external circuits, modules can still produce voltage. Please use insulation tools and wear rubber gloves when operating modules in the sunlight. No switch is on the PV modules.



## What is the serial number of the photovoltaic panel assembly

---



### INSTALLATION MANUAL

serial number of each laminate are clearly marked on the outside of each packing box. o Leave the product in its original packing box until you are ready to install. o Store packing boxes in a ...

### Guide to Solar Panel Parallel vs Series Wiring

Electrical current, voltage, and power in solar panel systems 101. Whether your solar panels are connected in series or in parallel, there are three fundamental concepts to understand about electricity before you get ...



### EcoFlow Official Club , How do I know where the serial number is ...

How do I know where the serial number is on these solar panels? I bought 3 folding panels, apparently they are EF-FLEX10 but I can't find neither in the



### Solar panel wiring basics: How to wire solar panels

Solar panel wiring is a complicated topic and we won't delve into all of the details in this article, The number of solar panels you can connect to your inverter is identified by its wattage rating. For example, if you have a 5,000 W inverter, ...



### Installation Manual of Standard Solar Modules

· A photovoltaic systems composed of UL 1703 certified modules mounted on a UL 2703 certified mounting system should be evaluated in combination with roof coverings in accordance with ...

### PV Module Installation Manual

3. Serial Number label: A unique serial number which is laminated inside the module permanently which can be found in the front of the module. There is another same serial number beside the ...



### Wiring Solar Panels in Series vs Parallel: Which Is Better?

Solar cells can also be arranged in parallel, where each solar panel is connected to every other panel in the circuit. Unlike connecting in series, connecting in parallel allows the ...



## Meter Serial Number (MSN): What Is It and Why Is It Important?

On most electricity meters, the Meter Serial Number will begin with the letter 'F'. The Meter Serial Number is usually longer on a gas meter, starting with 'L' and ending with ...



## INSTALLATION MANUAL FOR JA SOLAR PHOTOVOLTAIC ...

This manual contains important safety instructions for the Solar Photovoltaic Modules (hereafter referred to as "Modules") of Shanghai JA Solar Technology Co., Ltd. (hereafter referred to as ...

## The best practices of scanning serial numbers

As already mentioned, the serial number of a solar panel (photovoltaic module) uniquely identifies it from all the other solar panels. There can be no doubt about which panel is referred to when using the serial ...



## [Solar panel serial number ledger goes live](#)

Solar panel serial number data not provided to the agency's ledger may result in the removal of a manufacturer's solar panel product from the CEC's approved PV module list. It may also result ...



## Installation Manual for LONGi Solar PV Modules

Serial Number label: A unique serial number which is laminated inside the module permanently which can be found in the front of the module. There is another same serial number beside the ...



### How do I checked the serial number of LONGI PV module?

Look for a long alphanumeric code, which is the serial number. The serial number is often prefixed by "SN" or simply listed as "Serial Number." 4.Alternative Methods: ...

### [PV Module Installation Manual](#)

Serial Number label: A unique serial number which is laminated inside the module permanently which can be found in the front of the module. There is another same serial number beside the ...



### How to Scan and Store Solar PV Module Serial Numbers in the ...

3. Barcode: each individual module has a unique serial number. The serial number has 15 digits. The 1st and the 2nd digits are the year code, and the 3th is the month code. For example, ...





## Photovoltaic (PV) Module and Its Panel and Array

The photo-voltaic (PV) modules are available in different size and shape depending on the required electrical output power. In Fig. 4.1a thirty-six (36) c-Si base solar ...



## Connecting Solar Panels in Series or in Parallel?

The right answer depends on the number of PV modules, the planned layout, and your electricity generation goals. So, what's the difference? Series wiring increases the ...

## [Solar Panel Components \(List and Functions\)](#)

Solar panels are becoming our solution to the energy crisis that we face, but what parts make up a solar panel and system - that's what we'll find out. Solar panels may seem ...



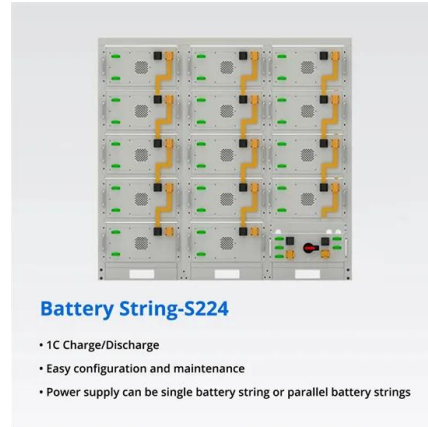
## Installation Manual for LONGi Solar PV Modules

This manual elaborates on installation and safety use information for PV power generating modules (hereinafter referred to as module) of LONGi Solar Technology Co., Ltd. 5.2 ...



### Where can I locate the Serial Number on my Solar Saga panel?

The serial number can be found either at the top right of the handlebar or at the bottom edge of the hub (with USB ports) inside the pouch. Skip to main content. Jackery 80W/100W/200W ...

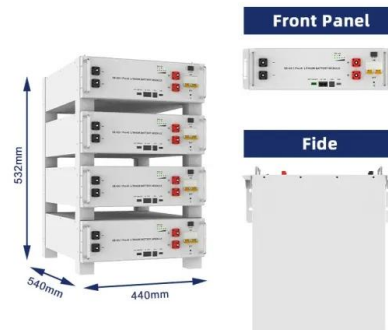


### 1.How can I see the serial number of each solar panel in The ...

4) Click on the "module"/"panel" you want to know more about and you can find the serial number for that panel. To map it to your layout look at the X and Y values for placement. In my case I ...

### Installation Manual of Standard Solar Modules

The word "module" or "PV module" used in this manual refers to one or more CS-series solar has a unique serial number containing 13 (pre same fire classification as the roof assembly. ...



### MCS Certificate Queries

A letter/email from the housing developer stating that the solar panels came with the purchase of the property and are not leased. A fixtures and fitting list with the solar panels listed, along with ...



## KS0530 DIY Solar Tracking Kit -- DIY Solar Tracking Kit

Assembly video address Until number 2 is not established, "for"loop is over, After knowing this order, go back to code: for (int value = 0; value



## High Voltage Solar Battery

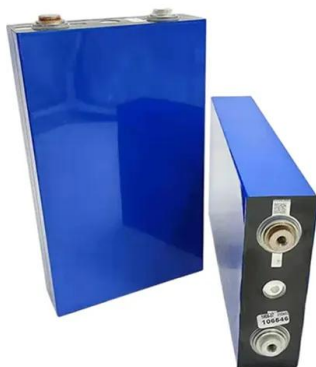


## Series, Parallel & Series-Parallel Connection of PV Panels

Step 4: Calculating the total power of the PV array The total power of the PV array is the summation of the maximum power of the individual modules connected in series. If P M is the ...

## Connecting to Tesla Gateway and Powerwall+ , Tesla ...

Solar Panel Installation; After Installation. What to Expect After Installation; your serial number (found in the Tesla app) is also the password. Note: If you enter your password manually, it begins with the letter S. If the serial number ...



## PV Module Unpacking, Handling and Storing Guide

Once you unpack your modules, check the module frame serial number and model label against the shipping label. The serial number is the unique identifier of each PV module. A protected ...



### Global Installation Guide for Suntech Power Standard Photovoltaic ...

Power Standard Photovoltaic Module Version 2024\_V1.3\_EN . Wuxi Suntech Power Co., Ltd. Address: No.9 Xinhua Road, Xinwu District Wuxi, China 214028 strictly comply with the ...

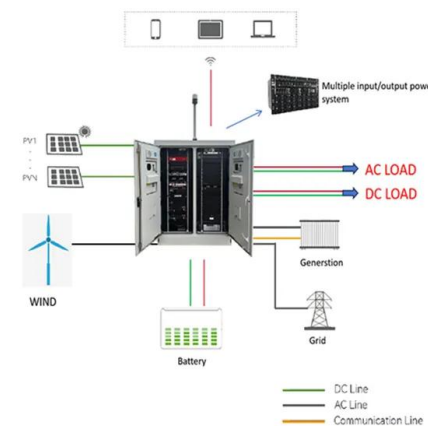


### Solar panel and inverter serial number ledgers

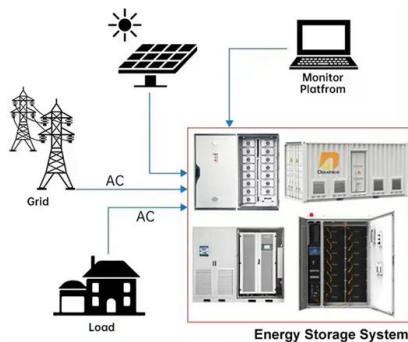
Solar panel serial number ledger. The ledger stores all eligible solar panel serial numbers supplied to the Australian market. We use the data to assess the eligibility of STC ...

### Guide to Solar Panel Sizes & Dimensions (November 2024)

Discover which solar panel sizes and dimensions are the most common in the UK, as well as which size is the best for your home. 0330 818 7480. Become a Partner. Menu. ...



### DISTRIBUTED PV GENERATION + ESS



### The best practices of scanning serial numbers

As already mentioned, the serial number of a solar panel (photovoltaic module) uniquely identifies it from all the other solar panels. There can be no doubt about which panel is referred to when using the serial number.



## Contact Us

---

For catalog requests, pricing, or partnerships, please visit:  
<https://www.vdbconstruction.co.za>