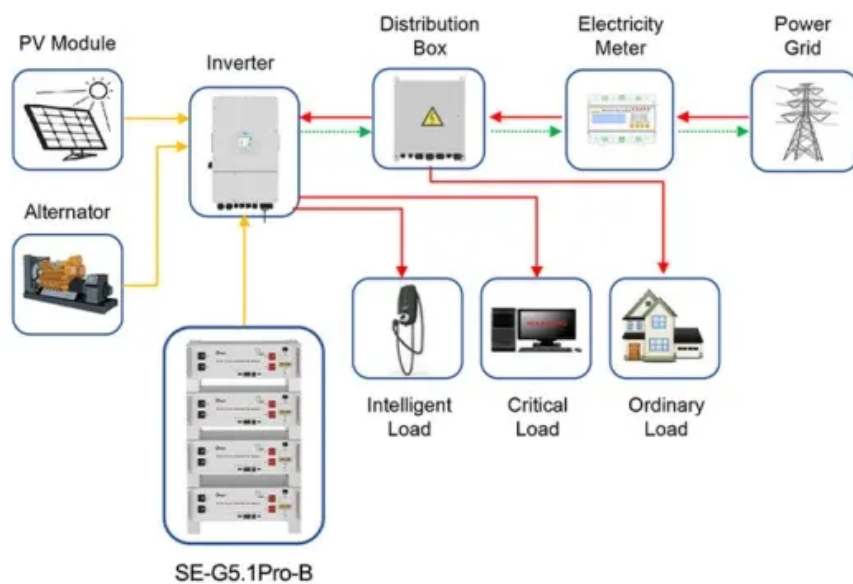


Wind power blade equipment



Application scenarios of energy storage battery products



Wind power blade equipment



How a Wind Turbine Works

The largest turbine is GE's Haliade-X offshore wind turbine, with blades 351 feet long (107 meters) - about the same length as a football field. When wind flows across the blade, the air ...

GOLDWIND Wind Turbine Equipment , Wind Power Equipment ...

Goldwind prides itself on the superior design and smart manufacturing of wind power equipment. From intelligent quality management standards to green supply Chain systems, Goldwind ...

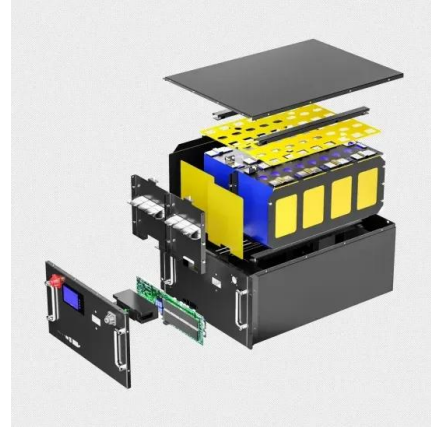


[Wind Turbine Lifting Equipment](#)

Wind Turbine Hoist Units: TLS is one of the UK's leading suppliers of wind turbine cranes and wind turbine hoists to the power generation industry. We design and manufacture all types of ...

Offshore Wind Lifting Solutions, Lifting Turbine Blades

A Turbine Blades installation cradle is a custom designed and built item to meet your exact project specification and can be designed for either onshore or offshore use. Britlift can also design ...



[Wind Turbine Blades SANY R.E. Global](#)

SANY Renewable Energy has an independent production capacity of wind turbine blades, and pursues product research and development goals with "High Reliability, High Power Generation, and Low LCOE". 3600+ Annual ...



Used Wind Turbine Blades for sale. Titan equipment & more

62M 6 Axle Wind Blade Trailer. new. This wind blade trailer is equipped with 6 axles and it can be scaled up to 62 meters. It is mainly used to transport wind turbine blades. A wind power ...



Carbon Fiber Composites for Large-Scale Wind Turbine Blades

Wind energy is a type of clean energy that can address global energy shortages and environmental issues. Wind turbine blades are a critical component in capturing wind ...





Horizontal single blade mounting tool for offshore wind turbine

Blade installation solution for Vestas wind turbine; 7 MW wind turbine generator rotation tool for long-term storage; Winches for offshore wind farm project; Tests of New Renewable Energy ...



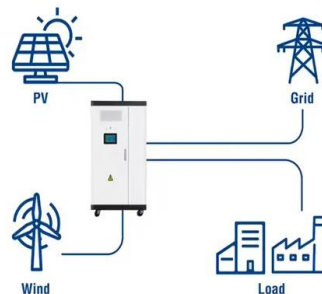
[Wind Turbine Safety Equipment](#)

What are the Essential Pieces of Equipment for Wind Turbine Safety? Wind Turbine Safety Harnesses . Harnesses are one of the most fundamental pieces of kit for technicians operating ...

Transporting Wind Turbine Blades: How To Do It Correctly

Transporting wind turbine blades takes special consideration due to the complexity of their size and constraints. Here is everything you should know. Skip to content

Utility-Scale ESS solutions



[Installation & handling equipment](#)

Blade installation solution for Vestas wind turbine; 7 MW wind turbine generator rotation tool for long-term storage; Winches for offshore wind farm project; Tests of New Renewable Energy ...



Largest Wind Turbine Manufacturers in India , Sany ...

It is a Pune-based MNC and a market leader in wind energy industry and supplier of wind turbine components in India. Visit to know more about the pricing. Get A Quote. 7058024625 Mining Equipment. Mining Dump Trucks; Underground ...

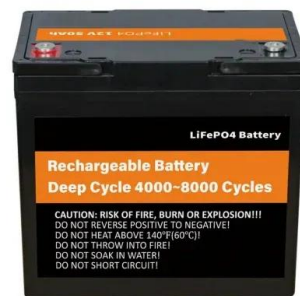


Solutions for recycling emerging wind turbine blade waste in

Between 7.7 and 23.1 million tonnes of wind turbine blade waste could be generated in China by 2050, but although recycling approaches exist, they are not always ...

Environmental impact and waste recycling technologies for modern wind ...

Supply equipment to recycle material and convert it into resin mix. ELG Carbon Fibre Ltd., UK: Treat manufacturing waste using pyrolysis method. Karborek IT, Italy Many ...



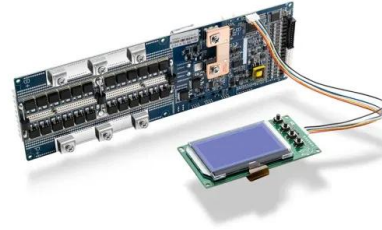
Wind Turbine Technology: A Deep Dive into Blade ...

Central to the effectiveness of a wind turbine is its blade design and the materials used in their construction. This article delves into the intricate world of wind turbine blades, exploring their evolution, modern designs, and the cutting ...



What Materials are Used to Make Wind Turbines?

Blades. Turbine blades can reach speeds of up to 180mph at their tip and are subject to immense aerodynamic, inertial, and gyroscopic loads. They must therefore be made from stiff and lightweight materials resistant to ...



INTEGRATED DESIGN

EASY TO TRANSPORT AND INSTALL,
FLEXIBLE DEPLOYMENT



[Wind Turbine Blades SANY R.E. Global](#)

SANY Renewable Energy is the first to deploy the usage of pultruded carbon plates in onshore large megawatt class wind turbines, sticking to light weight design and high length-to-diameter ratio. The blade has a low-load and high ...

Wind power

There are now longer and lighter wind turbine blades, improvements in turbine performance, and increased power generation efficiency. Also, wind project capital expenditure costs and maintenance costs have continued to decline.



Wind Power Equipment Market Size, Industry Share , Forecast, ...

Wind Power Equipment Market Report Summaries Detailed Information By Top Players As GE, Vestas Wind Systems, Goldwind Share & Industry Analysis, By Location (Offshore, ...



Offshore blades: The cutting edge - LM Wind Power

LM Wind Power's first blades were about 8m long and now their longest blade, launched last year, comes in at a huge 73.5m long for Alstom's new Haliade 150-6MW ...



Wind Turbine Blade Design

A detailed review of design loads on wind turbine blades is offered, describing aerodynamic, gravitational, centrifugal, gyroscopic and operational conditions. the VAWT requires no ...

A comprehensive review of waste wind turbine blades in China: ...

A complete wind power generator includes: blades, turbine, tower and foundation (Fig. 2 (a), [13], [14]).The wind turbine blades have excellent mechanical properties (fatigue ...



Wind Blade Repair , Wind Turbine Blade Maintenance

Utilising a variety of access techniques for blade repair, GEV Wind Power are able to provide a quality service in the repair of all aspects of damage to the wind turbine blades. Our delivery ...



Blade Access Platform

Power Climber Wind offers a range of solutions to put workers on blade surfaces for the full range of work performed at height. From single point inspection to 360° access platforms to ...



Wind Turbine Blade Design & Technology , GE Vernova

We create new, reliable wind turbine blade designs by developing and testing the best materials for wind turbine blades. We then combine these using our advanced design tools. With a proven track record of more than 228,000

...

Contact Us

For catalog requests, pricing, or partnerships, please visit:
<https://www.vdbconstruction.co.za>